






DET NORSKE VERITAS
 FULL PRODUCT QUALITY MANAGEMENT CERTIFICATE - LCC

Certificate No. 37960-2008-AQ-IND-NA
 Issued on 11 September 2008

This is to certify that the Management System of
M/s GST Corporation
 at
 B-13 Okhla Industrial Area, Phase II, New Delhi - 110 020, India
 has been found to conform to the Quality Management System Standard(s)
ISO 9001:2008 / ISO 13485:2003

This Certificate is valid for the following product or service ranges:
Manufacture and Supply of Medical Devices for Infusion Therapy, Blood Transfusions, Anesthesia, Gastroenterology Procedures, Orthopaedic Implants, Rehabilitation Aids, Diagnostic Devices, Ophthalmology Devices, Gynaecological, Surgical Instruments and Rubber Goods.

Initial Certification date: 11 September 2008
 This Certificate is valid until: 11 September 2011
 The audit has been performed under the supervision of
Atul Anand
 Lead Auditor

Place and date:
 Høvik, 15 November 2010
 for the Accredited Unit:
 DET NORSKE VERITAS
 CERTIFICATION AS, NORWAY

Eugenie Wingel Husebye
 Management Representative


 CE

Lack of fulfillment of conditions as set out in the Certification Agreement may render this Certificate invalid.
 This Certificate has been digitally signed. See www.dnv.com/india/india.htm for more info.
 HEAD OFFICE: Det Norske Veritas AS, Veritansveien 1, 1322 Høvik, Norway. Tel: +47 67 97 90 00. Fax: +47 67 97 90 11 - www.dnv.com


DET NORSKE VERITAS
 MANAGEMENT SYSTEM CERTIFICATE

Certificate No. 37960-2008-AQ-IND-NA
 This is to certify that the Management System of
M/s GST Corporation
 at
 B-13 Okhla Industrial Area, Phase II, New Delhi - 110 020, India
 has been found to conform to the Quality Management System Standard(s)
ISO 9001:2008 / ISO 13485:2003

This Certificate is valid for the following product or service ranges:
Manufacture and Supply of Medical Devices for Infusion Therapy, Blood Transfusions, Anesthesia, Gastroenterology Procedures, Orthopaedic Implants, Rehabilitation Aids, Diagnostic Devices, Ophthalmology Devices, Gynaecological, Surgical Instruments and Rubber Goods.

Initial Certification date: 11 September 2008
 This Certificate is valid until: 11 September 2011
 The audit has been performed under the supervision of
Atul Anand
 Lead Auditor

Place and date:
 Høvik, 15 November 2010
 for the Accredited Unit:
 DET NORSKE VERITAS
 CERTIFICATION AS, NORWAY

Eugenie Wingel Husebye
 Management Representative

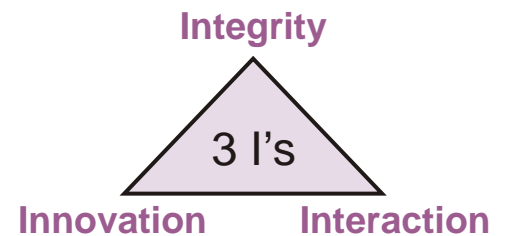
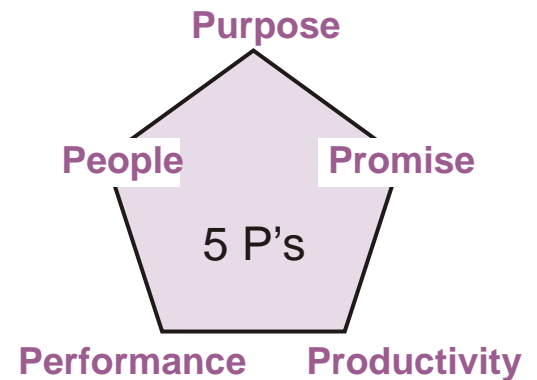

 MSYS 002

Lack of fulfillment of conditions as set out in the Certification Agreement may render this Certificate invalid.
 This Certificate has been digitally signed. See www.dnv.com/india/india.htm for more info.
 HEAD OFFICE: Det Norske Veritas AS, Veritansveien 1, 1322 Høvik, Norway. Tel: +47 67 97 90 00. Fax: +47 67 97 90 11 - www.dnv.com

Contents

- ▶ **Mini Fragment Set** **3 -10**
- ▶ **Small Fragment Set** **11-20**
- ▶ **Large Fragment Set** **21-32**
- ▶ **Angular Plates / Instruments** **33-40**
 - ▶ Dhs & Dcs Plates (34-35)
 - ▶ Condylar Blade Plate (37)
 - ▶ Angular Plates (37-40)
- ▶ **Pins, Wires & Staples** **41-46**
- ▶ **External Fixators** **47-50**
- ▶ **General Instruments** **51-58**
- ▶ **Alphabetical Index** **59-61**

Group Philosophy



GST Corporation, one of the first few Pioneer company, who due to their consistency and commitment to quality for over 50 years have been able to consistently deliver high quality products matching and exceeding the European standards and hence was the first company to obtain the CE Certificate for the Orthopaedic Implants Range.

Heuer Implants are made using Special Grade, Non Magnetic, Medical Grade Stainless Steel and Titanium to ensure least reactivity and maximum Bio Compatibility to the Human Body.

Our Orthopaedic Range

▶ **TRAUMA**

- ▶ Mini Fragment Sets,
- ▶ Small Fragment Sets,
- ▶ Large Fragment Sets
- ▶ Instruments & Pin & Wires
- ▶ External Fixatores
- ▶ General Instruments

▶ **LOCKING PLATES**

▶ **PROSTHESIS**

- ▶ Austin Moore, Bipolar & Thompson Hip Prosthesis
- ▶ Instruments for Austinmoore & Thompson Hip Prosthesis

▶ **INTRAMEDULLARY NAILS**

- ▶ Tibial, Femoral, Supercondylar, Un Reamed Humeral Nails
- ▶ Locking Bolts & End Caps
- ▶ Inter Locking Instrument Set
- ▶ Kuntscher Intramedullary Nail

▶ **SPINE**

- ▶ Spinal Implants & Instruments

▶ **MAXIO FACIAL**

▶ **POWER TOOL**

- ▶ Tap & Drill Bit
- ▶ Bone Saw & Planter Saw

▶ **Soft Supports, External Aids**

▶ **Insole & Foot Care Range**

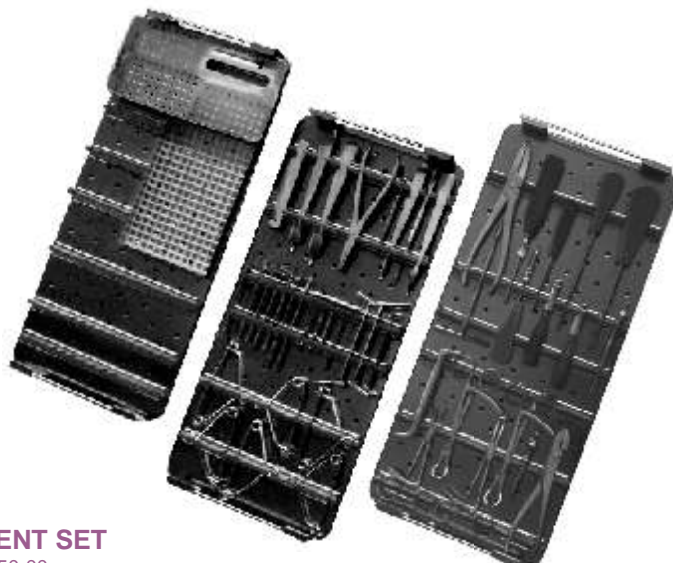
QUALITY POLICY

We at G. S. T. CORPORATION firmly believe in timely supply of reliable products with innovative features for customer satisfaction.

We shall continuously ensure that the dynamic needs of our customers from all over the globe are met in their full satisfaction by continuously updating & upgrading technology, selecting appropriate processes & implementing the relevant ISO 9001 Quality Management System to provide Quality products at competitive price.



Mini Fragment Set



MINI FRAGMENT SET

Code No.:750-00

Code	Description	Qty	Description	Qty
750-01	Drill Bit Quick Coupling 1.1mm, Length 60/35mm	2	Cortical Screw 1.5 mm	
750-02	Drill Bit Quick Coupling 1.5mm, Length 85/60mm	2	Length 6,7,8,9,10,11 & 12 mm	4 each 28
750-03	Drill Bit Quick Coupling 2.0mm, Length 100/75mm	2	Length 14,16mm	4 each 8
750-04	Drill Bit Quick Coupling 2.7mm, Length 100/75mm	2	Cortical Screw 2.0 mm	
750-05	Tap for 2.7 mm Cortical Screw	2	Length 6,8,10 & 12 mm	4 each 16
750-06	Tap for 1.5mm Cortical Screw	2	Length 14,16,18, & 20 mm	4 each 16
750-07	Tap for 2.0mm Cortical Screw	2	Cortical Screw 2.7 mm	
750-08	Mini Quick Coupling Handle	1	Length 6,8,10 & 12 mm	5 each 20
750-09	Double Drill Sleeve 1.5/1.1mm	1	Length 14,16,18, & 20 mm	5 each 20
750-10	Double Drill Sleeve 2.0/1.5mm	1	Length 22 & 24	5 each 10
750-11	Double Drill Sleeve 2.7/2.0mm	1	Washer 7.0mm	6
750-12	Hexagonal Screw Driver small Length 100mm for quick coupling	1		
750-13	Hexagonal Screw Driver with holding sleeve	1	Quarter Tubular Plate 2.7 mm, 3 hole, Length 26mm	2
750-14	Depth Gauge for 2.7mm to 4.0mm screw	1	Quarter Tubular Plate 2.7 mm, 4 hole. Length 34mm	2
750-15	Depth Gauge for 1.5mm to 2.0mm screw	1	Quarter Tubular Plate 2.7 mm, 5 hole, Length 42mm	2
750-16	Counter sink Shaft 2.7mm, Length 62mm	1	Quarter Tubular Plate 2.7mm, 6 hole, Length 50mm	1
750-17	Counter sink Shaft 1.5/2.0mm, Length 52mm	1	Quarter Tubular Plate 2.7mm, 7 hole, Length 58mm	1
750-18	Handle with quick coupling, Length 110mm	1	Quarter Tubular Plate 2.7mm, 8 hole, Length 66mm	1
750-19	Wire Bending Plier, Length 155mm	1	L plate for 2.7mm, oblique left 3/2 holes	2
750-20	Mini Reduction Forceps with points, narrow, Length 127mm	2	L plate for 2.7mm, oblique right 3/2 holes	2
750-21	Mini Periosteal Elevator straight edge,3mm wide Length 200mm	1	T plate for 2.7mm, shaft 3 hole, head 2 hole	4
750-22	Holding Forceps for small plate, Length 135mm	1	Mini Straight Plate for 2.0 mm screw 3 hole, Length 17mm	2
750-23	Holding Clip	6	Mini Straight Plate for 2.0 mm screw 4 hole, Length 23mm	2
750-24	Sharp Hook, Length 155mm	1	Mini Straight Plate for 2.0 mm screw 5 hole, Length 29mm	2
750-25	Screw Forcep, Self Retaining, Length 85mm	1	Mini Straight Plate for 2.0 mm screw 20 hole, Length 100mm	2
750-26	Wire Cutter Short, Length 175mm	1	Mini T-Plate 2.0 straight shaft 9 holes, head 3 holes	2
750-27	Retractor small 6mm wide narrow tip, Length 160mm	1	Mini T-Plate 2.0 straight shaft 9 holes, head 4 holes	2
750-28	Retractor small 8mm wide narrow tip, Length 160mm	1	Mini L plate 2.0 mm oblique 2/2 holes left & Right (2 each)	4
750-29	Retractor 15mm wide, Length 160mm	2	Mini T plate 2.0 mm, 2/2hole	4
750-30	Bending Iron for plate 1.5mm and 2.0mm, Length 130mm	1	Mini Plate 1.5, Straight 20 hole, Length 100mm	2
750-31	Mini Reduction Forceps with points, wide, Length 127mm	2	Mini Plate 1.5, shaft 9 hole, Head 3 hole	2
750-32	Bending Iron for K wire 0.8 and 1.25mm dia, Length 115mm	1	Mini Plate 1.5, shaft 9 hole, Head 4 hole	2
750-33	Bending plier for thin plate 1.5mm and 2.7mm, Length 140mm	1	K wire 0.6/70, 0.8/70,1.0/150,1.25/150 &1.6/150mm(10 each)	50
750-34	Hexagonal Screw Driver with groove, Length 200mm	1		

SCREWS

1.5mm Cortical Screw



Thread Diameter - 1.5mm
Core Diameter - 1.0mm
Hexagonal Socket - 1.5mm
Head Diameter - 3.0mm
Drill Bit Size for Threaded Hole : 1.1mm
Drill Bit Size for Gliding Hole : 1.5mm

GROUP CODE
401

Cat. No	Length(mm)	Cat. No.	Length(mm)
401-06	6	401-12	12
401-07	7	401-14	14
401-08	8	401-16	16
401-09	9	401-18	18
401-10	10	401-20	20
401-11	11		

2.0mm Cortical Screw



Thread Diameter - 2.0mm
Core Diameter - 1.3mm
Hexagonal Socket - 1.5mm
Head Diameter - 4.0mm
Drill Bit Size for Threaded Hole : 1.5mm
Drill Bit Size for Gliding Hole : 2mm

GROUP CODE
402

Cat. No	Length(mm)	Cat. No.	Length(mm)
402-06	6	402-24	24
402-08	8	402-26	26
402-10	10	402-28	28
402-12	12	402-30	30
402-14	14	402-32	32
402-16	16	402-34	34
402-18	18	402-36	36
402-20	20	402-38	38
402-22	22		

2.7mm Cortical Screw



Thread Diameter - 2.7mm
Core Diameter - 1.9mm
Hexagonal Socket - 2.5mm
Head Diameter - 5.0mm
Drill Bit Size for Threaded Hole : 2mm
Drill Bit Size for Gliding Hole : 2.7mm

GROUP CODE
403

Cat. No	Length(mm)	Cat. No.	Length(mm)
403-06	6	403-24	24
403-08	8	403-26	26
403-10	10	403-28	28
403-12	12	403-30	30
403-14	14	403-32	32
403-16	16	403-34	34
403-18	18	403-36	36
403-20	20	403-38	38
403-22	22	403-40	40

2.7mm Cortical Screw (Self Tapping)



Thread Diameter - 2.7mm
Core Diameter - 1.9mm
Hexagonal Socket - 2.5mm
Head Diameter - 5.0mm

GROUP CODE
407

Cat. No	Length(mm)	Cat. No.	Length(mm)
407-06	6	407-24	24
407-08	8	407-26	26
407-10	10	407-28	28
407-12	12	407-30	30
407-14	14	407-32	32
407-16	16	407-34	34
407-18	18	407-36	36
407-20	20	407-38	38
407-22	22	407-40	40

PLATES

Mini L - Plate
For 2.0mm Screws



GROUP CODE
377

Thickness - 1.0mm
Width - 5.0mm
Hole Spacing - 6.0mm

Cat. No	Hole	Length(mm)	
377-01	4	18	Left
377-11	4	18	Right

Mini L - Plate Oblique -110°
For 2.0mm Screws



GROUP CODE
377

Thickness - 1.0mm
Width - 5.0mm
Hole Spacing - 6.0mm

Cat. No	Hole	Length(mm)	
377-21	4	20	Left
377-31	4	20	Right

Mini Straight Plate
DCP 2.0 mm



GROUP CODE
368

Width - 5mm
For Hole 4,5 & 6 Thickness (A) - 1mm
For Hole 7 & 8 Thickness (A) - 1.5mm
Hole Spacing - 5mm

Cat. No	Holes
368-04	4
368-05	5
368-06	6
368-07	7
368-08	8

Mini - T - Plate
For 2.0mm Screws



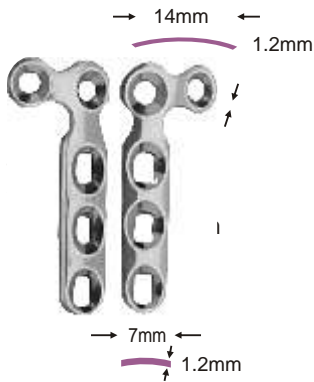
GROUP CODE
371

Thickness - 1.0mm
Width - 5.0mm
Hole Spacing - 6.0mm
Head Hole - 2.0mm
Length - 18.0mm

Cat. No	Hole
371-01	2/2

PLATES

L - Plate For 2.7mm Screws



Thickness- 1.2mm
Width - 7.0mm
Hole Spacing - 8.0mm

Left			Right		
Cat. No	Hole	Length(mm)	Cat. No	Hole	Length(mm)
377-41	3/2	32	377-51	3/2	32

GROUP CODE
377

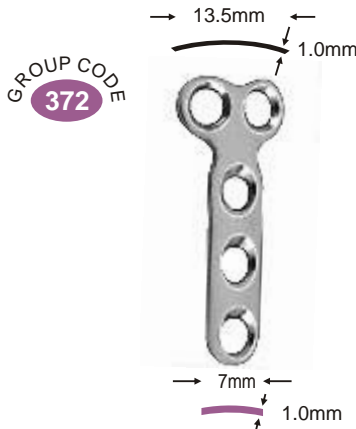
L - Plate 2.7mm Oblique -110°



Thickness- 1.2mm
Width - 7.0mm
Hole Spacing - 8.0mm

Left			Right		
Cat. No	Hole	Length(mm)	Cat. No	Hole	Length(mm)
377-61	3/2	32	377-71	3/2	32

T - PLATE 2.7mm



Thickness - 1.0mm
Width - 7.0mm
Hole Spacing - 8.0mm
Length - 32mm
Head Hole

Cat No.	Length mm	Head Hole	Shaft Hole
372-01	32	2	3

GROUP CODE
372

Dynamic Compression Plate 2.7mm



Width - 8.0mm
Thickness - (A) (2-6 Hole) 2mm, (7-12H) 2.5mm
Hole Spacing - 8mm & 12mm.

Fixation with Cortical Screw 2.7mm
Indication: As compression plate
in Metacarpal & Metatarsus

Cat. No	Holes	A	Length(mm)	Hole Spacing (mm)	Cat. No	Holes	A	Length(mm)	Hole Spacing (mm)
299-02	2	2	20	8	299-09	9	2.5	76	12
299-04	4	2	36	8	300-10	10	2.5	84	12
299-05	5	2	44	8	300-11	11	2.5	92	12
299-06	6	2	52	8	300-12	12	2.5	100	12
299-07	7	2.5	60	12					
299-08	8	2.5	68	12					

GROUP CODE
299
300

Quarter Tubular Plate
For 2.7mm and 3.5mm Screws



Thickness - 1.0mm
Width - 7.5mm
Hole Spacing - 8.0mm

Cat. No	Holes	Length(mm)	Cat. No	Holes	Length(mm)
306-02	2	15	306-07	7	55
306-03	3	23	306-08	8	63
306-04	4	31	306-09	9	71
306-05	5	39	306-10	10	79
306-06	6	47	306-12	12	95

GROUP CODE
306

MINI FRAGMENT INSTRUMENTS

GROUP CODE
750

Drill Bit (Q. C. End)



Cat. No.	Dia.(mm)	Length(mm)
750-01	1.1	65/35
750-02	1.5	85/60
750-03	2.0	100/75
750-04	2.7	100/75

TAP



	Cat. No.	Dia.
Cortical Tap	750-06	1.5mm
Cortical Tap	750-07	2.0mm
Cortical Tap	750-05	2.7mm

Mini Quick Coupling Handle



Code No.: 750-08

Double Drill Sleeve



Cat. No	Dia.
750-09	1.5/1.1
750-10	2.0/1.5
750-11	2.7/2.0

Hexagonal Screw Driver Small
Length 100 mm For Quick Coupling



Code No.: 750-12

Hexagonal Screw Driver
with Holding Sleeve



Code No.: 750-13

MINI FRAGMENT INSTRUMENTS

GROUP CODE
750

Depth Gauge



Cat. No.	Length(mm)
750-15	1.5 - 2.0
750-14	2.7 - 4.0

Counter Sink Shaft



Cat. No.	Length(mm)	Size(mm)
750-17	52	1.5/2.0
750-16	62	2.7

**Handle With Quick Coupling
Length 100mm**



Code No.: 750-18

Wire Bending Plier Length 155mm



Code No.: 750-19

**Mini Reduction Forceps
Narrow (with points) Length 127mm**



Code No.: 750-20

**Mini Periosteal Elevator Straight Edge,
3mm Wide, Length 200mm**



Code No.: 750-21

MINI FRAGMENT INSTRUMENTS

GROUP CODE
750

**Holding Forceps for small plate
length 135mm**



Code No.: 750-22

Holding Clip



Code No.: 750-23

Sharp Hook Length 155mm



Code No.: 750-24

**Screw Forcep, Self Retaining
Length 85mm**



Code No.: 750-25

Wire Cutter Short Length 175mm



Code No.: 750-26

**Retractor Small Narrow,
Tip Length 160mm**



Cat. No.	width(mm)
750-27	6
750-28	8

MINI FRAGMENT INSTRUMENTS

GROUP CODE
750

Retractor 15mm Wide Length 160mm



Code No.: 750-29

**Bending Iron For Plate 1.5mm
& 2.0mm Length 130mm**



Code No.: 750-30

**Mini Reduction Forceps
with points wide length 127mm**



Code No.: 750-31

**Bending Iron For K Wire 0.8 & 1.25mm
Dia. Length 115mm**



Code No.: 750-32

**Bending Plier For Thin Plate
1.5mm & 2.7mm Length 140mm**



Code No.: 750-33

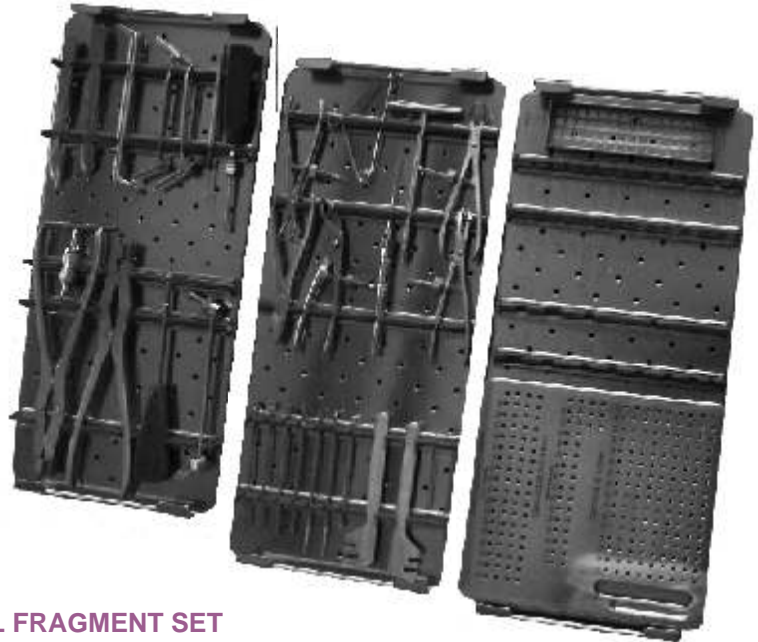
**Hexagonal Screw Driver
with Groove Length 200mm**



Code No.: 750-34



Small Fragment Set



SMALL FRAGMENT SET

Code No.: 751-00

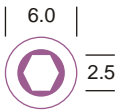
CODE	Description	Qty	Description	Qty
751-01	DCP drill sleeve 3.5, for Neutral & Load Position Drill bit 3.5 mm	1	3.5 mm Cortical Screws	
751-02	Double Drill Sleeve 3.5/2.5	1	Length 10,12,14,16,18,20,22,24,26,28,30,32,36,40,45,50mm	8 each 128
751-03	Screw Holding Forcep self retaining length 85mm	1		
751-04	Small Periosteal Elevator , 6mm wide ,length 200mm	1	4.0 mm Cancellous Bone Screw Fully Threaded	
751-05	Self Centering Bone Holding Forcep Length 191 mm	1	Length 10,12,14,16,18,20,22,24,26,28,30,35,40,45,50,55,60mm	4 each 68
751-06	Retractor 15mm wide length 160mm	2		
751-07	Small Counter Sink shaft 3.5mm length 72mm	1	4.0 mm Cancellous Screw Short Threaded	
751-08	Depth Gauge 2.7mm to 4.0mm screw	1	Length 10,12,14,16,18,20,22,24,26,28,30,35,40mm	2 each 26
751-09	Drill Bit (Q.C End) 2.5 mm Length 110/85	2	45,50mm	4 each 8
751-10	Drill Bit (Q.C End) 3.5 mm Length 100/85	2		
751-11	Tap 3.5 Cortical Screw length 50/110mm	2	Washer 7.0mm Dia for Small Screw	6
751-12	Tap 4.0 mm Cancellous Screw	2		
751-13	T- handle with Coupling Handle length 80mm	1	One Third Tubular Plate 3.5mm with Collar	
751-14	Insert drill Sleeve 3.5/2.5, length 42mm, drill bit 2.5mm dia	1	3, 7 and 8 Hole	1 each 3
751-15	Small Hexagonal Screw Driver quick coupling -length 100mm	1	4,5 and 6 Hole	2 each 6
751-16	Small Hexagonal Screw Driver with groove -length 200mm	1	Small T- Plates, Oblique Angled	
751-17	Sharp hook length 155mm	1	3/3 holes length 50mm and 5/3 Holes length 74mm	1 each 2
751-18	Bending Iron for plate 2.7mm and 3.5, length 150mm	2	Small T- Plates, Right Angled	
751-19	Bending Iron for K wire 1,25 to 2.5mm dia, length 120mm	1	3/3 hole length 50mm and 4/4 Holes length 56mm	1 each 2
751-20	Wire bending pilers length 126mm	1	Cloverleaf Plates 3.5mm	
751-21	Reduction Frocep with point Length 126 mm	1	3 hole shaft length 88mm and 4 Holes Shaft length 104mm	1 each 2
751-22	Holding Clip	1	Small DCP Plates 3.5mm	
751-23	Bending pliers for plate 2.4 to 4.0 mm, length 230mm	2	6,9,10 Holes	1 each 3
751-24	Bending Template for DCP 3.5mm and LC-DCP 3.5mm length 87mm	1	7,8 Holes	2 each 4
751-25	Bending Template for DCP 3.5mm and LC-DCP 3.5mm length 114mm	1	Kirschner Wire with Trocar Tip, Length 150 mm	
751-26	Reduction forcep serrated jaws length 146mm	1	1.25,1.6, 2.0mm	10 each 30
751-27	Reduction Frocep with point Length 127mm	1		

SCREWS

3.5mm Cortical Screw

Thread Diameter - 3.5mm
Core Diameter - 2.4mm
Hexagonal Socket - 2.5mm
Head Diameter - 6.0mm
Drill Bit Size for Threaded Hole : 2.5mm
Drill Bit Size for Gliding Hole : 3.5mm

GROUP CODE
404
405

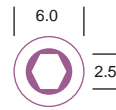


Cat. No.	Length(mm)	Cat. No.	Length(mm)
404-10	10	404-40	40
404-12	12	404-45	45
404-14	14	404-50	50
404-16	16	404-55	55
404-18	18	404-60	60
404-20	20	404-65	65
404-22	22	404-70	70
404-24	24	404-75	75
404-26	26	404-80	80
404-28	28	404-85	85
404-30	30	404-90	90
404-32	32	404-95	95
404-34	34	405-00	100
404-36	36	405-05	105
404-38	38	405-10	110

3.5mm Cortical Screw
Self Tapping

Thread Diameter - 3.5mm
Core Diameter - 2.4mm
Hexagonal Socket - 2.5mm
Head Diameter - 6.0mm

GROUP CODE
411
412



Cat. No.	Length(mm)	Cat. No.	Length(mm)
411-10	10	411-40	40
411-12	12	411-45	45
411-14	14	411-50	50
411-16	16	411-55	55
411-18	18	411-60	60
411-20	20	411-65	65
411-22	22	411-70	70
411-24	24	411-75	75
411-26	26	411-80	80
411-28	28	411-85	85
411-30	30	411-90	90
411-32	32	411-95	95
411-34	34	412-00	100
411-36	36	412-05	105
411-38	38	412-10	110

4.0mm Cortical Screw
Self Tapping

Thread Diameter - 4.0mm
Core Diameter - 2.9mm
Hexagonal Socket - 3.5mm
Head Diameter - 8mm

GROUP CODE
408

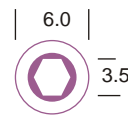


Cat. No	Length(mm)	Cat. No.	Length(mm)	Cat. No	Length(mm)
408-10	10	408-38	38	408-66	66
408-12	12	408-40	40	408-68	68
408-14	14	408-42	42	408-70	70
408-16	16	408-44	44	408-72	72
408-18	18	408-46	46	408-74	74
408-20	20	408-48	48	408-76	76
408-22	22	408-50	50	408-78	78
408-24	24	408-52	52	408-80	80
408-26	26	408-54	54	408-82	82
408-28	28	408-56	56	408-84	84
408-30	30	408-58	58	408-86	86
408-32	32	408-60	60	408-88	88
408-34	34	408-62	62	408-90	90
408-36	36	408-64	64		

3.5mm Cancellous Screw
Full Threaded

Thread Diameter - 3.5mm
Core Diameter - 1.9mm
Hexagonal Socket - 2.5mm
Head Diameter - 6.0mm
Drill Bit Size for Threaded Hole : 2.5mm
Drill Bit Size for Gliding Hole : 3.5mm

GROUP CODE
410



Cat. No	Length(mm)	Cat. No.	Length(mm)
410-10	10	410-28	28
410-12	12	410-30	30
410-14	14	410-35	35
410-16	16	410-40	40
410-18	18	410-45	45
410-20	20	410-50	50
410-22	22	410-55	55
410-24	24	410-60	60
410-26	26		

SCREWS

**4.0mm Cancellous Screw
Partial Thread**



Thread Diameter - 4.0mm
Core Diameter - 1.9mm
Hexagonal Socket - 2.5mm
Head Diameter - 6.0mm
Drill Bit Size for Threaded Hole : 2.5mm
Drill Bit Size for Gliding Hole : 4.0mm

GROUP CODE
413

Cat. No	Length(mm)	Thread Length(mm)
413-10	10	5
413-12	12	5
413-14	14	5
413-16	16	6
413-18	18	7
413-20	20	8
413-22	22	9
413-24	24	10
413-26	26	12

Cat. No	Length(mm)	Thread Length(mm)
413-28	28	14
413-30	30	14
413-35	35	14
413-40	40	14
413-45	45	14
413-50	50	15
413-55	55	15
413-60	60	15

**4.0mm Cancellous Screw
Full Threaded**



Thread Diameter - 4.0mm
Core Diameter - 1.9mm
Hexagonal Socket - 2.5mm
Head Diameter - 6.0mm
Drill Bit Size for Threaded Hole : 2.5mm
Drill Bit Size for Gliding Hole : 4.0mm

GROUP CODE
415

Cat. No	Length(mm)	Cat. No	Length(mm)
415-10	10	415-28	28
415-12	12	415-30	30
415-14	14	415-32	32
415-16	16	415-35	35
415-18	18	415-40	40
415-20	20	415-45	45
415-22	22	415-50	50
415-24	24	415-55	55
415-26	26	415-60	60

**4.0mm Cannulated Cancellous
Screw / Short Thread**



Thread Diameter - 4.0mm
Core Diameter - 2.5mm
Hexagonal Socket - 2.5mm
Head Diameter - 6.0mm
Cannulation - 1.35mm
Guide wire to be used - 1.25mm

GROUP CODE
433

Cat No.	Length(mm)	Cat No.	Length(mm)
433-10	10	433-34	34
433-12	12	433-36	36
433-14	14	433-38	38
433-16	16	433-40	40
433-18	18	433-42	42
433-20	20	433-44	44
433-22	22	433-46	46
433-24	24	433-48	48
433-26	26	433-50	50
433-28	28	433-55	55
433-30	30	433-60	60
433-32	32		

**4.0mm Cannulated Cancellous
Screw / Fully Threaded**



Thread Diameter - 4.0mm
Core Diameter - 2.5mm
Hexagonal Socket - 2.5mm
Head Diameter - 6.0mm
Cannulation - 1.35mm
Guide wire to be used - 1.25mm

GROUP CODE
434

Cat No.	Length(mm)	Cat No.	Length(mm)
434-10	10	434-34	34
434-12	12	434-36	36
434-14	14	434-38	38
434-16	16	434-40	40
434-18	18	434-42	42
434-20	20	434-44	44
434-22	22	434-46	46
434-24	24	434-48	48
434-26	26	434-50	50
434-28	28	434-55	55
434-30	30	434-60	60
434-32	32		

SCREWS

Shaft Screw 3.5mm



Thread Diameter - 3.5mm
Core Diameter - 2.4mm
Hexagonal Socket - 2.5mm
Head Diameter - 6.0mm
Shaft Dia : 3.5mm
Drill Bit Size for Threaded Hole : 2.5mm
Drill Bit Size for Gliding Hole : 3.5mm

Cat. No.	Length(mm)	Cat. No.	Length(mm)
430-12	12	430-32	32
430-14	14	430-34	34
430-16	16	430-36	36
430-18	18	430-38	38
430-20	20	430-40	40
430-22	22	430-45	45
430-24	24	430-50	50
430-26	26	430-55	55
430-28	28	430-60	60
430-30	30		

GROUP CODE
430

Washer

For Screws 2.7, 3.5, 4.0mm



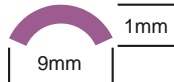
Size	Cat No.
2.7 mm	649-02
3.5 mm	649-03
4.0 mm	649-04

PLATES

1/3 Tubular Plates With Collar

Fixation with 3.5mm & 4.0mm screws

GROUP CODE
305



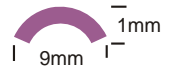
Width - 9mm
Thickness - 1mm
Hole Spacing - 12 and 16mm
(one-third Tube Dia 12mm)

Cat. No	Holes	Length(mm)	Cat. No.	Holes	Length(mm)
305-52	2	25	305-58	8	97
305-53	3	37	305-59	9	109
305-54	4	49	305-60	10	121
305-55	5	61	305-61	11	133
305-56	6	73	305-62	12	145
305-57	7	85			

1/3 Tubular Plates

Fixation with 3.5mm & 4.0mm screws

GROUP CODE
305



Width - 9.0mm
Thickness - 1mm
Hole Spacing - 12 & 16mm
(one-third Tube Dia.12mm)

Cat. No	Holes	Length(mm)
305-02	2	28
305-03	3	40
305-04	4	49
305-05	5	61
305-06	6	73
305-07	7	85
305-08	8	97
305-09	9	109
305-10	10	121
305-11	11	133
305-12	12	145

PLATES

Dynamic Compression Plate 3.5mm

GROUP CODE
364



Width - 10mm
Thickness - 3mm
Hole Spacing - 12 & 16mm
Fixation with 3.5mm & 4.0mm screws

Cat. No	Holes	Length(mm)
364-02	2	26
364-03	3	38
364-04	4	50
364-05	5	62
364-06	6	74
364-07	7	86

Cat. No.	Holes	Length(mm)
364-08	8	98
364-09	9	110
364-10	10	122
364-11	11	134
364-12	12	146

Straight Reconstruction Plate

For 3.5mm Screws

GROUP CODE
340



Thickness - 2.8mm
Width - 10mm
Hole Spacing - 12.0mm

Cat No.	Hole	Length
340-55	5	58
340-56	6	70
340-57	7	82
340-58	8	94
340-59	9	106
340-60	10	118

Cat No.	Hole	Length
340-61	12	142
340-62	14	166
340-63	16	190
340-64	18	214
340-65	20	238
340-66	22	262

Curved Reconstruction Plate 3.5mm

For Cortical Screw Dia. 3.5mm &
Cancellous Screw Dia. 4.0mm

GROUP CODE
343

Hole Spacing - 12mm
Thickness - 3.1mm
Width - 10mm



Cat. No.	Hole	Length(mm)
343-06	6	70
343-08	8	94
343-10	10	118
343-12	12	142
343-14	14	166
343-16	16	190
343-18	18	214

Y Reconstruction Plate

For Cortical Screw Dia 3.5mm &
Cancellous Screw Dia. 4.0mm

GROUP CODE
342



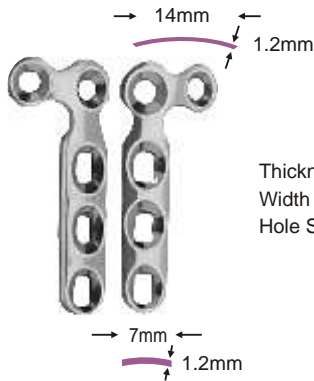
2mm
9.6mm

Cat No.	Size	Holes
342-06	Small	6
342-09	Medium	9
342-12	Large	12

PLATES

GROUP CODE
377

L - Plate For 2.7mm Screws



Thickness - 1.2mm
Width - 7.0mm
Hole Spacing - 8.0mm

Left

Cat. No	Hole	Length(mm)
377-41	3/2	32

Right

Cat. No	Hole	Length(mm)
377-51	3/2	32

L - Plate 2.7mm Oblique -110°



Thickness - 1.2mm
Width - 7.0mm
Hole Spacing - 8.0mm

Left

Cat. No	Hole	Length(mm)
377-61	3/2	32

Right

Cat. No	Hole	Length(mm)
377-71	3/2	32

T - Plate 2.7mm



Thickness - 1.0mm
Width - 7.0mm
Hole Spacing - 8.0mm
Length - 32mm
Head Hole - 2

GROUP CODE
372

Cat. No	Length(mm)	Head Hole	Shaft Hole
372-01	32	2	3

T-Plate, Oblique Angled

For the Left and Right Radius
Fixation with 3.5mm & 4.5mm Screws



Width - 10mm
Thickness - 1.2mm
Head Hole - 3

GROUP CODE
376

Cat. No	Shaft Holes	Length(mm)
376-03	3	53
376-04	4	64
376-05	5	75
376-06	6	86

PLATES

T-Plate, Right Angled

Fixation with Dia. 3.5mm & 4.0mm Screws



Width - 11mm
Thickness - 1.2mm
Head Hole - 4

GROUP CODE
373

Cat. No	Shaft Holes	Length(mm)
373-53	3	50
373-54	4	56
373-55	5	67
373-56	6	78

T-Plate, Right Angled

Fixation with Dia. 3.5mm & 4.0mm screws



Width - 10mm
Thickness - 1.2mm
Head Hole - 3

GROUP CODE
373

Cat. No	Shaft Holes	Length(mm)
373-33	3	50
373-44	4	56
373-35	5	67
373-46	6	78

LC-DCP 3.5mm

Fixation with Dia. 3.5mm & 4.0mm screws



Thickness - 4.0mm
Width - 11mm
Hole Spacing - 13.0mm

GROUP CODE
316

Cat No.	Hole	Length	Cat No.	Hole	Length
316-04	4	51	316-09	9	116
316-05	5	64	316-10	10	129
316-06	6	77	316-11	11	142
316-07	7	90	316-12	12	155
316-08	8	103			

Semi Tubular Plates

Fixation with 3.5mm and 4.0mm screws



Width - 12mm
Thickness - 1mm
Hole Spacing - 16 & 25mm

GROUP CODE
304

Cat. No	Holes	Length(mm)	Cat. No.	Holes	Length(mm)
304-02	2	39	304-08	8	135
304-03	3	55	304-09	9	151
304-04	4	71	304-10	10	167
304-05	5	87	304-11	11	183
304-06	6	103	304-12	12	199
304-07	7	119			

PLATES

Cloverleaf Plates 3.5mm

Fixation with Dia. 3.5mm & 4.0mm screws

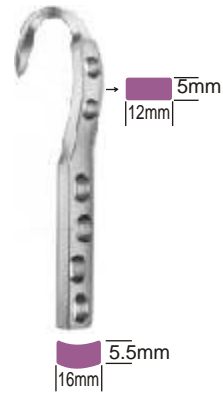


Slot is for Tension Device
Head Fixation with 4.0mm
Cancellous Screw Shaft 15.2mm
Cloverleaf thickness 1.2mm

GROUP CODE
367

Cat. No	HOLES (Shaft)	Length	Cat. No	HOLES (Shaft)	Length
367-03	3	88	367-06	6	136
367-04	4	104	367-07	7	152
367-05	5	120	367-08	8	168

Hook Shaped Plates

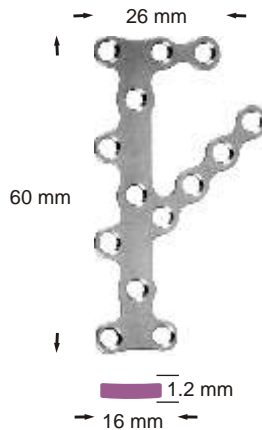


GROUP CODE
366

Cat. No	Holes	Length(mm)
366-06	6	129

Calcaneal Plate 3.5mm

For Calcaneus Fractures
Fixation with 3.5 and 4.0mm screws

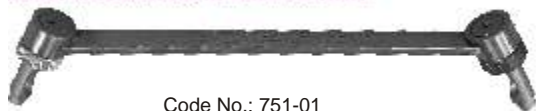


GROUP CODE
365

Cat No.	Length(mm)
365-60	60
365-70	70

SMALL FRAGMENT INSTRUMENTS

DCP Drill Sleeve 3.5, For Neutral & Load Position Drill Bit 3.5 mm



Code No.: 751-01

GROUP CODE
751

Double Drill Sleeves 3.5/2.5



Code No.: 751-02

**Screw Holding Forcep
Self Retaining 85mm**



Code No.: 751-03

**Small Perisotal Elevator
6mm wide, Length 200mm**



Code No.: 751-04

**Self Centering Bone Holding Forceps
Length 191mm**



Code No.: 751-05

Retractor, 15mm wide Length 160mm



Code No.: 751-06

**Small Counter Sink
Shaft 3.5mm, Length 72mm**



Code No.: 751-07

Depth Gauge, 2.7mm to 4.0mm Screw



Code No.: 751-08

Drill Bit (Q.C. End)



Cat. No.	Dia.(mm)	Length(mm)
751-09	2.5	110/85
751-10	3.5	100/85

TAP



	Cat. No.	Dia.(mm)	Length(mm)
Cortical Tap	751-11	3.5	50/110
Cancellous Tap	751-12	4.0	

**T Handle With Coupling Handle
Length 80mm**

Code No.: 751-13



**Insert Drill Sleeve, 3.5/2.5mm,
Length 42mm, Drill 2.5mm Dia.**

Code No.: 751-14



SMALL FRAGMENT INSTRUMENTS

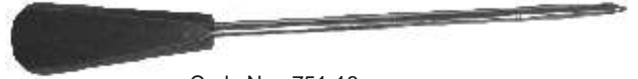
**Small Hexagonal Screw Driver
Quick Coupling Length 100mm**



Code No.: 751-15

GROUP CODE
751

**Small Hexagonal Screw Driver
With Groove Length 200mm**



Code No.: 751-16

Sharp Hook Length 155mm



Code No.: 751-17

**Bending Iron For Plate 2.7mm & 3.5mm
Length 150mm**



Code No.: 751-18

**Bending Iron for K Wire 1.25 to 2.5mm
dia. length 120mm**



Code No.: 751-19

Wire Bending Pliers 126mm



Code No.: 751-20

Reduction Forceps With Point Length 126mm



Code No.: 751-21

Holding Clip



Code No.: 751-22

**Bending Pliers For Plate 2.4 To 4.0mm,
Length 230mm**



Code No.: 751-23

**Bending Template For DCP 3.5mm
& LC-DCP 3.5 Length 87 & 114mm**



Cat. No	Length(mm)	Cat. No	Length(mm)
751-24	87	751-25	114

**Reduction Forcep Serrated Jaws
Length 146mm**



Code No.: 751-26

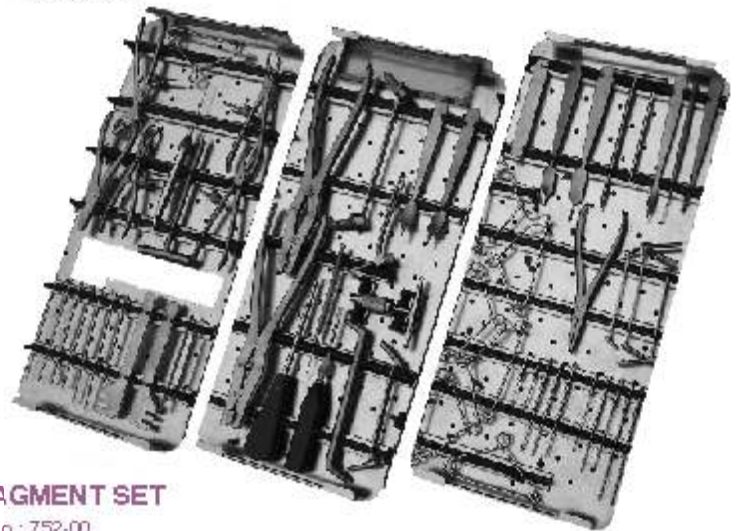
**Reduction Forcep With Point
Length 127mm**



Code No.: 751-27



Large Fragment Set



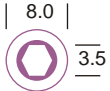
LARGE FRAGMENT SET

Code No.: 752-00

Code	Description	Qty	Description	Qty
752-01	Drill Bit, Ø 3.2mm length 145/120mm for quick coupling	3	4.5mm Cortical Screw	
752-02	Drill Bit, Ø 4.5mm length 145/120mm for quick coupling	2	Length 14,16,18,20,22,24 mm	6 each 36
752-03	Counter Sink large length 180mm	1	26,28,38,42,44,46mm	7 each 42
752-04	Tap for 4.5mm Cortical Screws length 125/70mm	2	30,32,34,36, 40mm	14 each 70
752-05	Tap for 6.5mm Cancellous Screws	1	48,52,56,60,64,68 mm	3 each 18
752-06	Large Hexagonal Screw Driver length 100mm	1	6.5mm Cancellous Bone Screw/16mm	
752-07	Large Depth Gauge for 4.5ad 6.5mm screw	1	Length 30,35,40,45,50,55,60,65,70,75mm	2 each 20
752-08	T handle with quick coupling length 80mm	1	80,85,90,95,100,105,110mm	2 each 14
752-09	Double drill sleeve 4.5/3.2	1	6.5mm Cancellous Bone Screw/32mm	
752-10	Insert drill sleeve 4.5/3.2 length 80mm	1	Length 45,50,55,60,65,70,75,80,85mm	3 each 27
752-11	Double drill sleeve 6.5/3.2	1	90,95,100,105,110mm	3 each 15
752-12	Large Hexagonal Screw Driver with groove length 240 mm	1	6.5mm Cancellous Bone Screw fully threaded	
752-13	Large holding sleeve length 120mm	1	Length 25,30,35,40mm	4 each 16
752-14	Sharp Hook length 155mm	1	45,50,55,60,65,70,75,80,85mm	2 each 18
752-15	Combined wrench 11mm length 140mm	1	90,95,100,105,110mm	2 each 10
752-16	DCP drill sleeve 4.5	1	Malleolar Screw 4.5mm	
752-17	LC- DCP drill sleeve 4.5mm	1	Length 25,30,35,40,45,50,55,60,65,70mm	3 each 30
752-18	Universal drill sleeve 4.5mm	1	Large Washers 13mm	6
752-19	Bending template DCP 4.5mm and L-DCP 4.5mm length 120mm	1	Screw Holding Forcep	1
752-20	Bending template DCP 4.5mm and L-DCP 4.5mm length 155mm	1		
752-21	Bending template DCP 4.5mm and L-DCP 4.5mm length 210mm	1	Semi-Tubular Plate	4
			4,5,6,7 Holes	1 each
			DCP Narrow 4.5mm	13
			6,7,8,9,10 Holes	2 each
			11,12, 14 hole	1 each
			DCP Broad- 4.5mm	7
			8 9,10,11,12,14,16 Holes	1 each
			T-Plate 4.5mm	3
			4,6,8 Holes	1 each
			T Buttress Plate 4 Hole length 81mm	1
			L-Buttress Plate-4.5mm Left Angled	
			Shaft with 4 Holes length 85mm	1
			L-Buttress Plate-4.5mm Right Angles	
			Shaft with 4 Holes length 85mm	1

SCREWS

4.5mm Cortical Screw



Thread Diameter - 4.5mm
Core Diameter - 3.0mm
Hexagonal Socket - 3.5mm
Head Diameter - 8.0mm

GROUP CODE
406
407

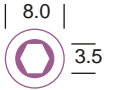


Cat. No	Length(mm)	Cat. No	Length(mm)	Cat. No	Length(mm)
406-14	14	406-40	40	406-70	70
406-16	16	406-42	42	406-72	72
406-18	18	406-44	44	406-74	74
406-20	20	406-46	46	406-76	76
406-22	22	406-48	48	406-78	78
406-24	24	406-50	50	406-80	80
406-26	26	406-52	52	406-85	85
406-28	28	406-54	54	406-90	90
406-30	30	406-56	56	406-95	95
406-32	32	406-58	58	407-00	100
406-34	34	406-60	60	407-05	105
		406-62	62	407-10	110
		406-64	64	407-15	115
		406-66	66	407-20	120
				407-25	125
				407-30	130

4.5mm Cortical Screw (Self Tapping)

GROUP CODE
409

Thread Diameter - 4.5mm
Core Diameter - 3.0mm
Hexagonal Socket - 3.5mm
Head Diameter - 8.0mm



Cat. No	Length(mm)	Cat. No.	Length(mm)	Cat. No	Length(mm)
409-10	10	409-38	38	409-66	66
409-12	12	409-40	40	409-68	68
409-14	14	409-42	42	409-70	70
409-16	16	409-44	44	409-72	72
409-18	18	409-46	46	409-74	74
409-20	20	409-48	48	409-76	76
409-22	22	409-50	50	409-78	78
409-24	24	409-52	52	409-80	80
409-26	26	409-54	54	409-82	82
409-28	28	409-56	56	409-84	84
409-30	30	409-58	58	409-86	86
409-32	32	409-60	60	409-88	88
409-34	34	409-62	62	409-90	90
409-36	36	409-64	64		



4.5mm Shaft Screw



Thread Diameter - 4.5mm
Core Diameter - 3.1mm
Hexagonal Socket - 3.5mm
Head Diameter - 8.0mm

GROUP CODE
431
432



Cat. No.	Length(mm)	Cat. No.	Length(mm)
431-22	22	431-60	60
431-24	24	431-65	65
431-26	26	431-70	70
431-28	28	431-75	75
431-30	30	431-80	80
431-35	35	431-85	85
431-40	40	431-90	90
431-45	45	431-95	95
431-50	50	432-00	100
431-55	55	432-05	105

6.5mm Cancellous Screw / 16mm

GROUP CODE
417
418

Thread Diameter - 6.5mm
Core Diameter - 3.0mm
Hexagonal Socket - 3.5mm
Head Diameter - 8.0mm



Cat. No	Length(mm)	Cat. No.	Length(mm)
417-25	25	417-70	70
417-30	30	417-75	75
417-35	35	417-80	80
417-40	40	417-85	85
417-45	45	417-90	90
417-50	50	417-95	95
417-55	55	418-00	100
417-60	60	418-05	105
417-65	65	418-10	110
		418-15	115
		418-20	120



SCREWS

6.5mm Cancellous Screw / 32mm

Thread Diameter - 6.5mm
Core Diameter - 3.0mm
Hexagonal Socket - 3.5mm
Head Diameter - 8.0mm



Cat. No	Length(mm)	Cat. No.	Length(mm)
419-35	35	419-75	75
419-40	40	419-80	80
419-45	45	419-85	85
419-50	50	419-90	90
419-55	55	419-95	95
419-60	60	420-00	100
419-65	65	420-05	105
419-70	70	420-10	110
		420-15	115
		420-20	120
		420-25	125
		420-30	130
		420-35	135
		420-40	140
		420-45	145
		420-50	150

GROUP CODE
419
420

6.5mm Cancellous Screw Fully Threaded

Thread Diameter - 6.5mm
Core Diameter - 3.0mm
Hexagonal Socket - 3.5mm
Head Diameter - 8.0mm

GROUP CODE
423
424

Cat. No.	Length(mm)	Cat. No.	Length(mm)
423-20	20	423-70	70
423-25	25	423-75	75
423-30	30	423-80	80
423-35	35	423-85	85
423-40	40	423-90	90
423-45	45	423-95	95
423-50	50	424-100	100
423-55	55	424-105	105
423-60	60	424-110	110
423-65	65	424-115	115



4.5mm Malleolar Screw

Thread Diameter - 4.5mm
Core Diameter - 3.0mm
Hexagonal Socket - 3.5mm
Head Diameter - 8.0mm



Cat. No	Length(mm)	Thread(mm)	Cat. No	Length(mm)	Thread(mm)
425-25	25	12	425-60	60	28
425-30	30	15	425-65	65	30
425-35	35	18	425-70	70	32
425-40	40	20	425-75	75	34
425-45	45	22	425-80	80	36
425-50	50	24	425-85	85	38
425-55	55	26	425-90	90	40

GROUP CODE
425

4.5mm Cortical Cannulated Screw Short Thread

Thread Diameter - 4.5mm
Core Diameter - 2.7mm
Hexagonal Socket - 3.5mm
Head Diameter - 6.5mm
Cannulation - 1.75mm
Guide wire to be used - 1.6 mm dia

GROUP CODE
435

Cat No.	Length(mm)	Cat No.	Length(mm)	Cat No.	Length(mm)
435-20	20	435-40	40	435-60	60
435-22	22	435-42	42	435-62	62
435-24	24	435-44	44	435-64	64
435-26	26	435-46	46	435-66	66
435-28	28	435-48	48	435-68	68
435-30	30	435-50	50	435-70	70
435-32	32	435-52	52	435-72	72
435-34	34	435-54	54	435-74	74
435-36	36	435-56	56		
435-38	38	435-58	58		



SCREWS

4.5mm Cortical Cannulated Screw Fully Threaded

Thread Diameter - 4.5mm
Core Diameter - 2.7mm
Hexagonal Socket - 3.5mm
Head Diameter - 6.5mm
Cannulation - 1.75mm
Guide wire to be used - 1.6 mm dia

GROUP CODE
436



Cat No.	Length(mm)	Cat No.	Length(mm)	Cat No.	Length(mm)
436-20	20	436-40	40	436-60	60
436-22	22	436-42	42	436-62	62
436-24	24	436-44	44	436-64	64
436-26	26	436-46	46	436-66	66
436-28	28	436-48	48	436-68	68
436-30	30	436-50	50	436-70	70
436-32	32	436-52	52	436-72	72
436-34	34	436-54	54	436-74	74
436-36	36	436-56	56		
436-38	38	436-58	58		

7.0mm Large Cannulated Screw, Thread Length 16mm

Thread Diameter - 7.0mm
Core Diameter - 4.5mm
Hexagonal Socket - 3.5mm
Head Diameter - 8.0mm
Cannulation - 2.1mm
Guide wire to be used - 2.0 mm dia
Shaft Dia : 4.5mm

GROUP CODE
437
438



Cat No.	Length(mm)	Cat No.	Length(mm)
437-30	30	437-85	85
437-35	35	437-90	90
437-40	40	437-95	95
437-45	45	438-00	100
437-50	50	438-05	105
437-55	55	438-10	110
437-60	60	438-15	115
437-65	65	438-20	120
437-70	70	438-25	125
437-75	75	438-30	130
437-80	80		

7.0mm Large Cannulated Screw, Thread Length 32mm

Thread Diameter - 7.0mm
Core Diameter - 4.5mm
Hexagonal Socket - 3.5mm
Head Diameter - 8.0mm
Cannulation - 2.1mm
Guide wire to be used - 2.0 mm dia
Shaft Dia : 4.5

GROUP CODE
439
440



Cat No.	Length(mm)	Cat No.	Length(mm)
439-45	45	439-90	90
439-50	50	439-95	95
439-55	55	440-00	100
439-60	60	440-05	105
439-65	65	440-10	110
439-70	70	440-15	115
439-75	75	440-20	120
439-80	80	440-25	125
439-85	85	440-30	130

Washer for Screws 4.5, 6.5 & 7.0 mm

GROUP CODE
649



Cat No.	Screw Size	Dia. of Washer
649-05	4.5 mm	11 mm
649-06	6.5 mm	13 mm
649-07	7.0 mm	13 mm

7.0 mm Cannulated Instrument Set
(Also available for 4.0mm Cannulated Instrument Set)

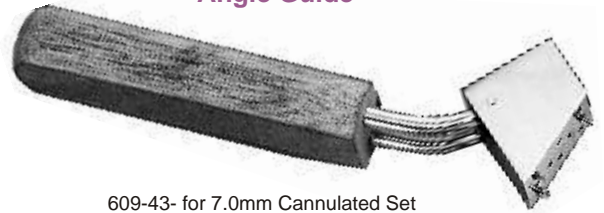
Cat No. 609-41- for 7.0mm Cannulated Set
Cat No. 745-00- for 4.0mm Cannulated Set

Cannulated Screw Driver



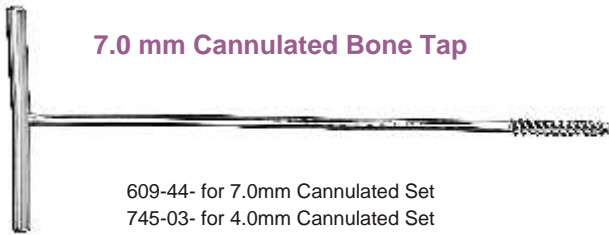
609-42- for 7.0mm Cannulated Set
745-01- for 4.0mm Cannulated Set

Angle Guide



609-43- for 7.0mm Cannulated Set
745-02- for 4.0mm Cannulated Set

7.0 mm Cannulated Bone Tap



609-44- for 7.0mm Cannulated Set
745-03- for 4.0mm Cannulated Set

Direct Measuring Device



609-45- for 7.0mm Cannulated Set
745-04- for 4.0mm Cannulated Set

Guide Wire 2 mm Threaded Tip



609-46- for 7.0mm Cannulated Set
745-05- for 4.0mm Cannulated Set

Drill Bit 4.5/2.1 Dia. Cannulated



609-47- for 7.0mm Cannulated Set
745-06- for 4.0mm Cannulated Set

Double Drill Sleeve

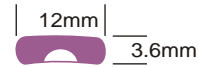


609-48- for 7.0mm Cannulated Set
745-07- for 4.0mm Cannulated Set

PLATES

Dynamic Compression Plate - 4.5mm Narrow

GROUP CODE
311



All end holes are also suitable for cancellous screws.
The Underside of both ends is notched to half compression device

Width - 12mm
Thickness - 3.6mm
Hole Spacing - 16 & 25mm

Cat. No	Holes	Length(mm)	Cat. No.	Holes	Length(mm)
311-02	2	39	311-11	11	183
311-03	3	55	311-12	12	199
311-04	4	71	311-13	13	215
311-05	5	87	311-14	14	231
311-06	6	103	311-15	15	247
311-07	7	119	311-16	16	263
311-08	8	135	311-18	18	279
311-09	9	151			
311-10	10	167			

Dynamic Compression Plate - 4.5mm Broad

GROUP CODE
312



All end holes are also suitable for cancellous screws.

Width - 16mm
Thickness - 4.5mm
Hole Spacing - 16 & 25mm

Cat. No	Holes	Length(mm)	Cat. No	Holes	Length(mm)
312-06	6	103	312-10	10	167
312-07	7	119	312-11	11	183
312-08	8	135	312-12	12	199
312-09	9	151	312-14	14	231
			312-16	16	263
			312-18	18	295

PLATES

Narrow Bone Plates With Round Holes

GROUP CODE
301



All end holes are also suitable for cancellous screws.

Width - 12mm
Thickness - 4mm
Hole Spacing - 16mm & 25mm

Cat. No	Holes	Length(mm)	Cat. No.	Holes	Length(mm)
301-02	2	39	301-11	11	183
301-03	3	55	301-12	12	199
301-04	4	71	301-13	13	215
301-05	5	87	301-14	14	231
301-06	6	103	301-15	15	247
301-07	7	119	301-16	16	263
301-08	8	135	301-17	17	279
301-09	9	151	301-18	18	295
301-10	10	167			

Broad Bone Plates With Round Holes

GROUP CODE
302



All end holes are also suitable for cancellous screws.

Width - 16mm
Thickness - 4.8mm
Hole Spacing - 16mm & 25mm

Cat. No	Holes	Length(mm)	Cat. No.	Holes	Length(mm)
302-02	2	39	302-11	11	183
302-03	3	55	302-12	12	199
302-04	4	71	302-13	13	215
302-05	5	87	302-14	14	231
302-06	6	103	302-15	15	247
302-07	7	119	302-16	16	263
302-08	8	135	302-17	17	279
302-09	9	151	302-18	18	295
302-10	10	167			

PLATES

Thin Narrow Bone Plates
with Round Holes

GROUP CODE
309



All end holes are also suitable for cancellous screws.

Width - 12mm
Thickness - 2mm

Cat. No	Holes	Length(mm)	Cat. No.	Holes	Length(mm)
309-02	2	39	309-10	10	167
309-03	3	55	309-11	11	183
309-04	4	71	309-12	12	199
309-05	5	87	309-13	13	215
309-06	6	103	309-14	14	231
309-07	7	119	309-15	15	247
309-08	8	135	309-16	16	263
309-09	9	151			

Lengthening Plates

GROUP CODE
336



Width - 16.0mm
Thickness - 4.5mm
Hole Spacing - 10mm

Narrow Lengthening Plates -8 Holes

Cat. No	Total Length(mm)	Lengthening
336-11	135	30
336-12	145	40
336-13	155	50
336-14	165	60

Broad Lengthening Plates -10 Holes

Cat. No	Total Length(mm)	Lengthening
336-31	179	50
336-32	189	60
336-33	199	70
336-34	209	80
336-35	219	90
336-36	229	100
336-37	239	110
336-38	249	120

LC-DCP 4.5 mm Narrow

Fixation With 4.5 & 6.5 mm Screws

GROUP CODE
316



Thickness - 4.6mm
Width - 3.5mm
Hole Spacing - 18.0mm

Cat No.	Hole	Length	Cat No.	Hole	Length
316-52	2	34	316-59	9	160
316-53	3	52	316-60	10	178
316-54	4	70	316-61	11	196
316-55	5	88	316-62	12	214
316-56	6	106	316-64	14	250
316-57	7	124	316-66	16	286
316-58	8	142			

LC-DCP 4.5 mm Broad

Fixation With 4.5 & 6.5 mm Screws

GROUP CODE
317



Thickness - 6mm
Width - 17.5mm
Hole Spacing - 18.0mm

Cat No.	Hole	Length	Cat No.	Hole	Length
317-54	4	60	317-62	12	204
317-55	5	88	317-63	13	232
317-56	6	106	317-64	14	250
317-57	7	124	317-65	15	268
317-58	8	142	317-66	16	286
317-59	9	160	317-67	17	304
317-60	10	178	317-68	18	322
317-61	11	196			
317-62	12	214			

PLATES

Straight Reconstruction Plate 4.5

Fixation With 4.5 & 6.5 mm Screws

GROUP CODE
341



Thickness - 2.8mm
Width - 12.0mm
Hole Spacing -16.0mm

Do not bend more than 15°

Cat No.	Hole	Length	Cat No.	Hole	Length
341-02	2	29	341-10	10	157
341-03	3	45	341-12	12	189
341-04	4	61	341-13	13	205
341-05	5	77	341-14	14	221
341-06	6	93	341-15	15	237
341-07	7	109	341-16	16	253
341-08	8	125			
341-09	9	141			

Spoon Plate

For 4.5 mm and 6.5 mm Screws

GROUP CODE
362



Slot is for Tension Device

Cat. No	Holes	L (mm)
362-05	5	100
362-06	6	120
362-07	7	140

Condylar Buttress Plate

Fixation with 4.5mm & 6.5 mm Screw

GROUP CODE
363



Slot is for Tension Device

Left			Right		
Cat. No	Shaft Holes	Length	Cat. No	Shaft Holes	Length
363-07	7	158	363-57	7	158
363-09	9	190	363-59	9	190
363-11	11	222	363-61	11	222
363-13	13	254	363-63	13	254
363-15	15	286	363-65	15	286

Cobra Head Plate

Fixation with 4.5mm & 6.5mm Screws

GROUP CODE
361



Slot is for Tension Device

Cat. No	Shaft Holes	Length(mm)
361-08	8	168
361-09	9	184
361-10	10	200
361-11	11	216

PLATES

Lateral Tibial Head Buttress Plate



GROUP CODE
384

Width - 14.0mm
Thickness - 3.8mm
Hole Spacing - 16.0mm

For Left Leg

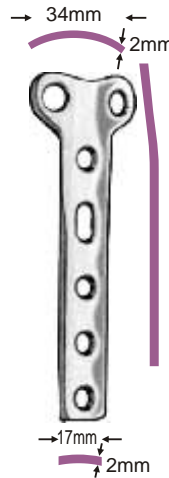
For Right Leg

Cat No.	Holes	Cat No.	Holes	Length
384-05	5	384-25	5	117
384-07	7	384-27	7	149
384-09	9	384-29	9	181
384-11	11	384-31	11	213
384-13	13	384-33	13	245

T-Plates
with Round Hole 4.5 mm

Shaft with round profile, for humeral and tibial head fractures
No of Holes in Head: 2

GROUP CODE
374



Cat. No.	Holes	Length(mm)
374-03	3	68
374-04	4	84
374-05	5	100
374-06	6	116
374-07	7	132
374-08	8	148

T-Buttress Plates 4.5mm
With round Holes

Shaft Double Bend, as Buttress for Tibial Head fractures
No of Holes in Head: 2

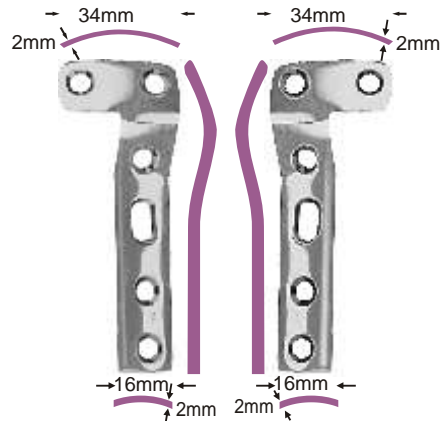


GROUP CODE
375

Cat. No.	Holes	Length(mm)
375-04	4	80
375-05	5	96
375-06	6	112
375-07	7	128
375-08	8	144
375-09	9	160
375-10	10	176

L-Buttress Plates 4.5mm

Fixation with 4.5mm 6.5mm Screws



GROUP CODE
377

For Screw 4.5 & 6.5

Hole	Cat. No. (Left)	Cat. No. (Right)	Length(mm)
4	377-74	377-84	87
5	377-75	377-85	103
6	377-76	377-86	119
7	377-77	377-87	135
8	377-78	377-88	151
9	377-79	377-89	167
10	377-80	377-90	183

LARGE FRAGMENT INSTRUMENTS

GROUP CODE
752

Drill Bit (Q.C. End)



Cat. No.	Dia.(mm)	Length(mm)
752-01	3.2	145/120
752-02	4.5	145/120

Counter Sink Large
Length 180 mm



Code No.: 752-03

Tap



	Cat. No.	Dia.(mm)	Length(mm)
Cortical Tap	752-04	4.5	125/70
Cancellous Tap	752-05	6.5	

Large Hexagonal Screw Driver
Length 100mm



Code No.: 752-06

Large Depth Gauge for 4.5 & 6.5mm Screw



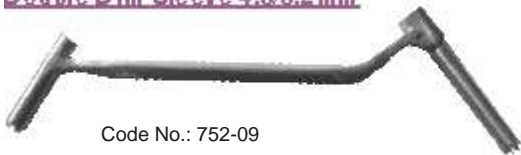
Code No.: 752-07

T Handle With Q.C.
Length 80mm



Code No.: 752-08

Double Drill Sleeve 4.5/3.2mm



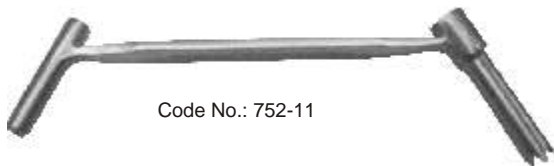
Code No.: 752-09

Insert Drill Sleeve
4.5/3.2mm Length 80mm



Code No.: 752-10

Double Drill Sleeve 6.5/3.2mm



Code No.: 752-11

Large Hexagonal Screw Driver
With Groove Length 240mm



Code No.: 752-12

LARGE FRAGMENT INSTRUMENTS

GROUP CODE
752

Large Holding Sleeve Length 120mm



Code No.: 752-13

Sharp Hook Length 155mm



Code No.: 752-14

Combined Wrench 11mm Length 140mm



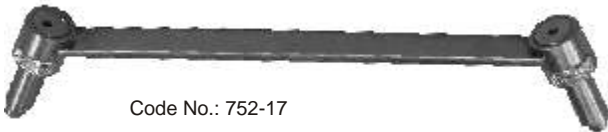
Code No.: 752-15

DCP Drill Sleeve 4.5mm



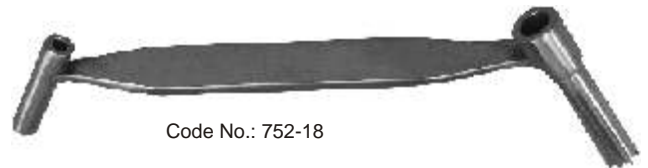
Code No.: 752-16

LC-DCP Drill Sleeve 4.5mm



Code No.: 752-17

Universal Drill Sleeve 4.5mm



Code No.: 752-18

Bending Template DCP 4.5mm & LC-DCP 4.5mm Length 210mm

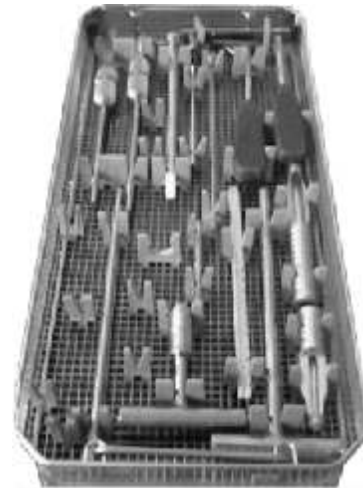


Cat. No	Length(mm)
752-19	120
752-20	155
752-21	210





DHS / DCS Set



DHS/DCS INSTRUMENT SET

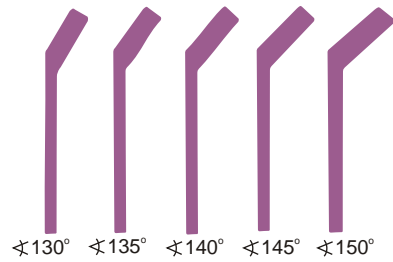
Code No.: 609-11

Code	Description	Qty	Description	Qty
609-10	DHS/DCS Impactor length 200mm	1	DHS/DCS Screw with Lag screw	
609-12	DHS/DCS Wrench length 245 mm	1	Length 65,70,75,80, 105,110,115mm	1 each 7
609-15	DHS/DCS Tap 220mm	1	85,90,95,100mm	2 each 8
609-17	DHS/DCS Direct Measuring Device	1	DHS/DCS Compression Screw extra	3
609-90	DHS Reamer	1	Cortical Screw 4.5mm	
609-20	DHS Angle Guide 135 deg	1	18mm,20mm,22mm,24mm	12 each 48
609-91	DHS Angle Guide 150 deg	1	Cancellous screw 6.5mm fully threaded	
609-92	DHS/DCS Centering Sleeve Short	1	70mm and 80mm	1 pcs 2
609-93	DHS/DCS Centering Sleeve Long	1	DHS Plate -135 Deg	
609-94	DHS Tap Sleeve	1	4 Hole	3 each 3
609-13	Long Coupling Screw	1	5,6 Hole	2 each 4
609-95	Short Coupling Screw	1	DHS Plate -150 Deg	
609-96	DHS/ DCS T Handle with Quick Coupling length 80mm	1	4,5,6 Holes	1 each 3
609-14	Guide Shaft / Coupling Screw	1	DCS Plates 95 Deg	
609-18	DCS Triple Reamer	1	Hole 6,8,10	2 each 6
609-20	DCS Angle Guide	1	Hole 12,14,16	1 each 3
609-97	DHS/ DCS Guide wire 2.5mm dia with threaded tip	10		
609-98	Drill Bit 8mm Length 245mm	1		
609-99	Nut for DHS and DCS Reamer	2		

DHS & DCS

DHS PLATE

GROUP CODE
319
323



With DCP Holes

Hole	130° Angle Cat. No.	135° Angle Cat. No.	140° Angle Cat. No.	145° Angle Cat. No.	150° Angle Cat. No.	Length of Plate (mm)
2	319-02	320-02	321-02	322-02	323-02	48
4	319-04	320-04	321-04	322-04	323-04	80
5	319-05	320-05	321-05	322-05	323-05	96
6	319-06	320-06	321-06	322-06	323-06	112
8	319-08	320-08	321-08	322-08	323-08	144
10	319-10	320-10	321-10	322-10	323-10	176
12	319-12	320-12	321-12	322-12	323-12	208
14	319-14	320-14	321-14	322-14	323-14	240
16	319-16	320-16	321-16	322-16	323-16	272
18	319-18	320-18	321-18	322-18	323-18	304
20	319-20	320-20	321-20	322-20	323-20	336
22	319-22	320-22	321-22	322-22	323-22	368

With Round Holes

Hole	130° Angle Cat. No.	135° Angle Cat. No.	140° Angle Cat. No.	145° Angle Cat. No.	150° Angle Cat. No.	Length of Plate (mm)
2	319-52	320-52	321-52	322-52	323-52	48
4	319-54	320-54	321-54	322-54	323-54	80
5	319-55	320-55	321-55	322-55	323-55	96
6	319-56	320-56	321-56	322-56	323-56	112
8	319-58	320-58	321-58	322-58	323-58	144
10	319-60	320-60	321-60	322-60	323-60	176
12	319-62	320-62	321-62	322-62	323-62	208
14	319-64	320-64	321-64	322-64	323-64	240
16	319-66	320-66	321-66	322-66	323-66	272
18	319-68	320-68	321-68	322-68	323-68	304
20	319-70	320-70	321-70	322-70	323-70	336
22	319-72	320-72	321-72	322-72	323-72	368



DHS & DCS

DCS Plate 90°-95°

With Self Compression Holes

Width - 16mm
Thickness - 5.4mm
Hole spacing - 16mm
External Barrel Dia. - 12.6mm
Barrel Length - 25mm

GROUP CODE
330



90°

Cat. No	Holes	Length(mm)	Cat. No	Holes	Length(mm)
330-04	4	70	330-10	10	160
330-05	5	85	330-12	12	190
330-06	6	100	330-14	14	220
330-07	7	115	330-16	16	250
330-08	8	130	330-18	18	280
330-09	9	145	330-20	20	310

95°

Cat. No	Holes	Length(mm)	Cat. No	Holes	Length(mm)
330-54	4	70	330-60	10	160
330-55	5	85	330-62	12	190
330-56	6	100	330-64	14	220
330-57	7	115	330-66	16	250
330-58	8	130	330-68	18	280
330-59	9	145	330-70	20	310



Lag Screw

Thread Dia - 12.5mm
Shaft Dia - 8.0mm
Thread Length - 22mm

GROUP CODE
441

Compression Screw



Code No.: 441-00

Cat No.	Length(mm)	Cat No.	Length(mm)
441-01	50	442-11	100
441-02	55	442-12	105
441-03	60	442-13	110
441-04	65	442-14	115
441-05	70	442-15	120
441-06	75	442-16	125
441-07	80	442-17	130
441-08	85	442-18	135
441-09	90	442-19	140
441-10	95	442-20	145

DHS/DCS INSTRUMENT SET

Cat No. 609-11

GROUP CODE
609
753



DHS/DCS Impactor
609-10



DHS/DCS Wrench
609-12



DHS Tap 220mm
609-15



Direct Measuring Device
609-17



DHS/DCS Reamer
609-90



DHS Angle Guide 135°
609-20



DHS Angle Guide 150°
609-91



DHS/DCS Centering Sleeve (Short)
609-92



DHS/DCS Centering Sleeve (Long)
609-93



DHS Tap Sleeve
609-94



DHS/DCS T Handle with Q.C. length 80mm
609-96



Guide Shaft/Coupling Screw
609-14



Long Coupling Screw
609-13



Short Coupling Screw
609-95



DHS/DCS Triple Reamer
609-18



DCS Angle Guide
609-20



Guide Wire 2.5mm with threaded tip
609-97



Drill Bit Ø8mm Length 245mm
609-98



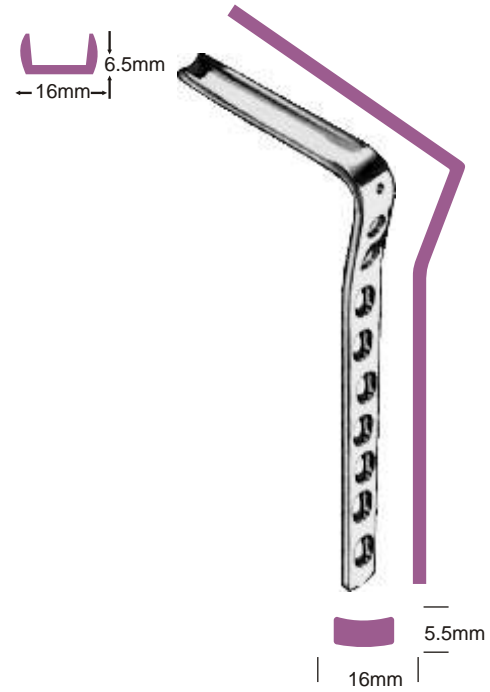
NUT for DHS/DCS Reamer
609-99

CONDYLAR PLATE

GROUP CODE
345
346

Condylar Blade Plate 95° For Adults

Width- 16mm
Thickness - 5.6mm
Hole spacing - 16mm
U-Profile Blade - 6.5 x 16mm



Round Holes

Blade Length(mm)	5 Holes Shaft length 93mm Cat. No.	7 Holes Shaft length 125mm Cat. No.	9 Holes Shaft length 157mm Cat. No.	12 Holes Shaft length 205mm Cat. No.	14 Holes Shaft length 237mm Cat. No.	16 Holes Shaft length 269mm Cat. No.	18 Holes Shaft length 299mm Cat. No.
50	345-01	345-11	345-21	345-31	345-41	345-51	345-55
60	345-02	345-12	345-22	345-32	345-42	345-52	345-56
70	345-03	345-13	345-23	345-33	345-43	345-53	345-57
80	345-04	345-14	345-24	345-34	345-44	345-54	345-58

DCP Holes

Blade Length(mm)	5 Holes Shaft length 93mm Cat. No.	7 Holes Shaft length 125mm Cat. No.	9 Holes Shaft length 157mm Cat. No.	12 Holes Shaft length 205mm Cat. No.	14 Holes Shaft length 237mm Cat. No.	16 Holes Shaft length 269mm Cat. No.
50	346-01	346-11	346-21	346-31	346-41	346-51
60	346-02	346-12	346-22	346-32	346-42	346-52
70	346-03	346-13	346-23	346-33	346-43	346-53
80	346-04	346-14	346-24	346-34	346-44	346-54

GROUP CODE
351
352

Angular Plate 130° For Adults

Femoral Neck and Pterochanteric Fracture With Self Compression Holes

Width - 16mm
Thickness - 5.6mm
Hole Spacing - 12mm
U-profile Blade - 6.5 x 16mm



Round Holes

Blade Length(mm)	4 Holes Shaft length 75mm Cat. No.	6 Holes Shaft length 107mm Cat. No.	9 Holes Shaft length 155mm Cat. No.	12 Holes Shaft length 203mm Cat. No.
50	351-01	351-21	351-41	351-61
60	351-02	351-22	351-42	351-62
70	351-03	351-23	351-43	351-63
75	351-04	351-24	351-44	351-64
80	351-05	351-25	351-45	351-65
85	351-06	351-26	351-46	351-66
90	351-07	351-27	351-47	351-67
95	351-08	351-28	351-48	351-68
100	351-09	351-29	351-49	351-69
105	351-10	351-30	351-50	351-70
110	351-11	351-31	351-51	351-71

DCP Holes

Blade Length(mm)	4 Holes Shaft length 75mm Cat. No.	6 Holes Shaft length 107mm Cat. No.	9 Holes Shaft length 155mm Cat. No.	12 Holes Shaft length 203mm Cat. No.
50	352-01	352-21	352-41	352-61
60	352-02	352-22	352-42	352-62
70	352-03	352-23	352-43	352-63
75	352-04	352-24	352-44	352-64
80	352-05	352-25	352-45	352-65
85	352-06	352-26	352-46	352-66
90	352-07	352-27	352-47	352-67
95	352-08	352-28	352-48	352-68
100	352-09	352-29	352-49	352-69
105	352-10	352-30	352-50	352-70
110	352-11	352-31	352-51	352-71

PLATES

Angular Nail Plate For 90° & 100°

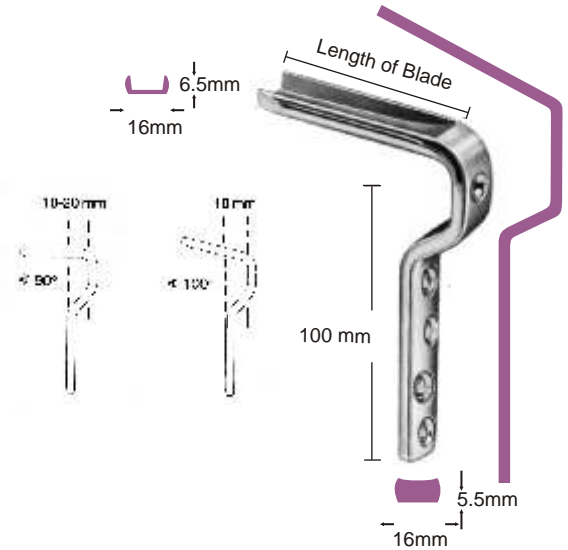
Intertrochanteric Femoral Osteotomes for Adults
Total Length 100mm Hole Spacing 16mm

Width - 16.0 mm
Thickness - 5.6 mm
Hole Spacing - 16.0 mm
U-profile Blade - 6.5 x 16.0 mm
Overall Height - 100 mm

GROUP CODE
355

Round Holes			
Cat. No	Depth of Bow(mm)	Length of Blade(mm)	Degree
355-01	10	40	90
355-02	15	50	90
355-03	10	60	90
355-04	15	60	90
355-05	20	60	90
355-06	10	60	100

DCP Holes			
Cat. No	Depth of Bow(mm)	Length of Blade(mm)	Degree
355-21	10	40	90
355-22	15	50	90
355-23	10	60	90
355-24	15	60	90
355-25	20	60	90
355-26	10	60	100



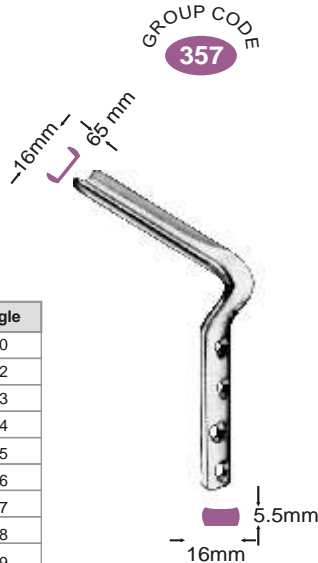
Angular Nail Plate

For Intertrochanteric Femoral Osteotomes In Adults

Shaft with - 4 DCP Holes
Hole Spacing - 16 mm

Displacement - 10mm
Standard Hip Plate 120° with 4 Holes

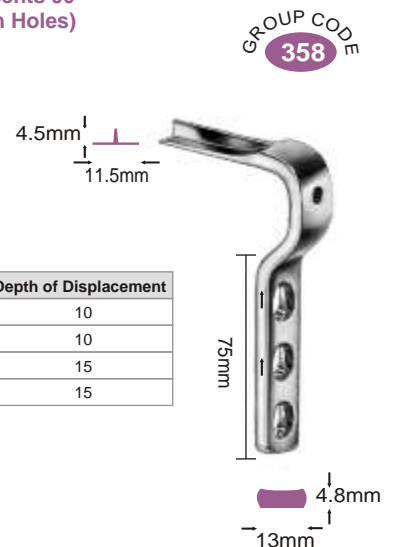
Blade Length(mm)	110°Angle	120°Angle	130°Angle
65	357-01	357-31	357-50
70	357-02	357-32	357-52
75	357-03	357-33	357-53
80	357-04	357-34	357-54
85	357-05	357-35	357-55
90	357-06	357-36	357-56
95	357-07	357-37	357-57
100	357-08	357-38	357-58
105	357-09	357-39	357-59



Angular Nail Plate

For Intertrochanteric Femoral Osteotomes In Adolescents 90° (With Self Compression Holes)

Cat. No.	Length of Blade	Depth of Displacement
358-01	40	10
358-02	50	10
358-21	40	15
358-22	50	15

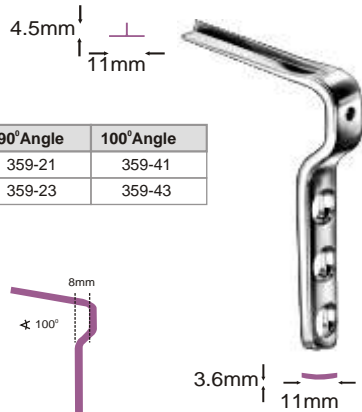


PLATES

Angular Nail Plate

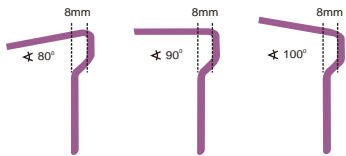
For Intertrochanteric Femoral (up to 10 Years)
Osteotomies In Children 80° - 90° - 100°
(With Self Compression Holes)

GROUP CODE
359



Displacement 8(mm)

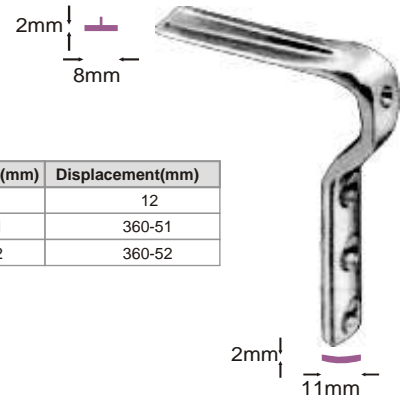
Blade Length(mm)	80°Angle	90°Angle	100°Angle
35	359-01	359-21	359-41
45	359-03	359-23	359-43



Angular Nail Plate

Intertrochanteric Femoral (up to 5 years)
Osteotomies In Infants 90°
(With Self Compression Holes)

GROUP CODE
360



Blade (mm)	Displacement(mm)	Displacement(mm)
	7	12
25	360-01	360-51
32	360-02	360-52

Jewett Nail Plate - 135°

Available In 120°, 125°, 130°, 140°, 150°,
On Special Request

GROUP CODE
395
396



Hole	Length									
	50	55	60	65	70	75	80	85	90	
4	395-04	395-24	395-44	395-64	395-84	396-04	396-24	396-44	396-64	
5	395-05	395-25	395-45	395-65	395-85	396-05	396-25	396-45	396-65	
6	395-06	395-26	395-46	395-66	395-86	396-06	396-26	396-46	396-66	
7	395-07	395-27	395-47	395-67	395-87	396-07	396-27	396-47	396-67	
8	395-08	395-28	395-48	395-68	395-88	396-08	396-28	396-48	396-68	
9	395-09	395-29	395-49	395-69	395-89	396-09	396-29	396-49	396-69	
10	395-10	395-30	395-50	395-70	395-90	396-10	396-30	396-50	396-60	
12	395-12	395-32	395-52	395-72	395-92	396-12	396-32	396-52	396-72	

CONDYLAR/ ANGLED BLADE PLATE INSTRUMENT SET

Cat No.: 609-01

GROUP CODE
609

Triangular Positioning Plates (a, b, c)



Code No.: 609-02

Triple Drill Guide



Code No.: 609-03

Impactor



Code No.: 609-04

Chisel Guide



Code No.: 609-05

Slotted Hammer



Code No.: 609-06

Seating Chisel Length 320mm



Code No.: 609-07

Spanner



Code No.: 609-08

**Inserter-Extractor with Adjustment Clamp
Length 270mm**



Code No.: 609-09

Drill Sleeve 4.5mm

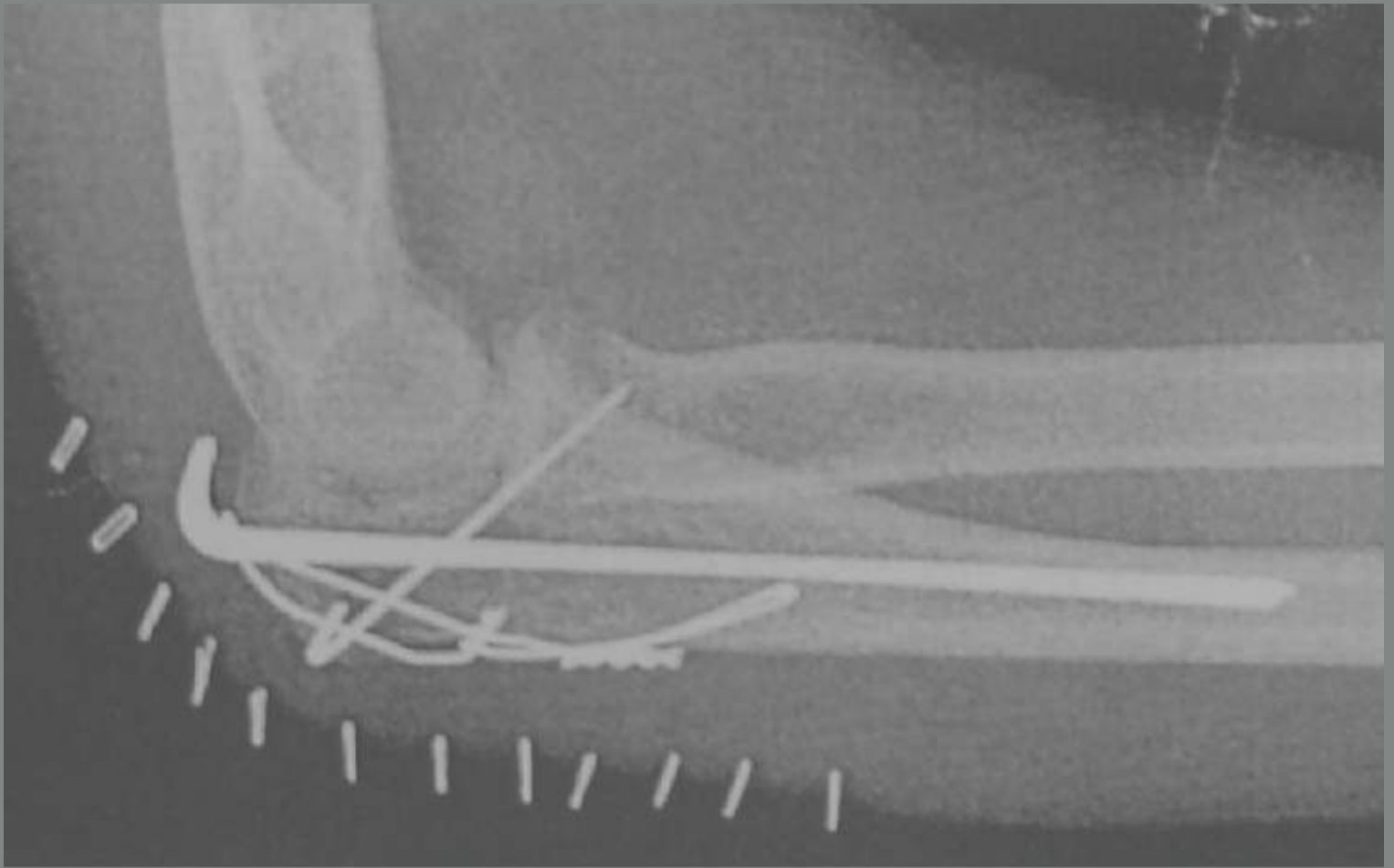


Code No.: 609-48

Kirschner Wires 2.0/150mm Trocar & Round End



Code No.: 486-04



Pins, Wires & Staples

KIRSCHNER WIRES

Trocar Point & Round End

GROUP CODE
481
489



Length (mm)	Dia (mm)								
	0.8	1.0	1.2	1.5	1.8	2.0	2.2	2.5	3.0
100	481-01	482-01	483-01	484-01	485-01	486-01	487-01	488-01	489-01
102	481-02	482-02	483-02	484-02	485-02	486-02	487-02	488-02	489-02
127	481-03	482-03	483-03	484-03	485-03	486-03	487-03	488-03	489-03
150	481-04	482-04	483-04	484-04	485-04	486-04	487-04	488-04	489-04
152	481-05	482-05	483-05	484-05	485-05	486-05	487-05	488-05	489-05
200	481-06	482-06	483-06	484-06	485-06	486-06	487-06	488-06	489-06
225	481-07	482-07	483-07	484-07	485-07	486-07	487-07	488-07	489-07
229	481-08	482-08	483-08	484-08	485-08	486-08	487-08	488-08	489-08
250	481-09	482-09	483-09	484-09	485-09	486-09	487-09	488-09	489-09
275	481-10	482-10	483-10	484-10	485-10	486-10	487-10	488-10	489-10
300	481-11	482-11	483-11	484-11	485-11	486-11	487-11	488-11	489-11
305	481-12	482-12	483-12	484-12	485-12	486-12	487-12	488-12	489-12

With Thread And Trocar Point



Length (mm)	Dia (mm)					
	0.8	1.0	1.5	2.0	2.5	3.0
100	481-21	482-21	484-21	486-21	488-21	489-21
102	481-22	482-22	484-22	486-22	488-22	489-22
127	481-23	482-23	484-23	486-23	488-23	489-23
150	481-24	482-24	484-24	486-24	488-24	489-24
152	481-25	482-25	484-25	486-25	488-25	489-25
200	481-26	482-26	484-26	486-26	488-26	489-26
225	481-27	482-27	484-27	486-27	488-27	489-27
229	481-28	482-28	484-28	486-28	488-28	489-28
250	481-29	482-29	484-29	486-29	488-29	489-29
275	481-30	482-30	484-30	486-30	488-30	489-30
300	481-31	482-31	484-31	486-31	488-31	489-31
305	481-32	482-32	484-32	486-32	488-32	489-32

With Double Trocar



Length (mm)	Dia (mm)					
	0.8	1.0	1.5	2.0	2.5	3.0
100	481-41	482-41	484-41	486-41	488-41	489-41
102	481-42	482-42	484-42	486-42	488-42	489-42
127	481-43	482-43	484-43	486-43	488-43	489-43
150	481-44	482-44	484-44	486-44	488-44	489-44
152	481-45	482-45	484-45	486-45	488-45	489-45
200	481-46	482-46	484-46	486-46	488-46	489-46
225	481-47	482-47	484-47	486-47	488-47	489-47
229	481-48	482-48	484-48	486-48	488-48	489-48
250	481-49	482-49	484-49	486-49	488-49	489-49
275	481-50	482-50	484-50	486-50	488-50	489-50
300	481-51	482-51	484-51	486-51	488-51	489-51
305	481-52	482-52	484-52	486-52	488-52	489-52

Schanz Screws

GROUP CODE
622



Thread Length 25mm

Length (mm)	Diameter(mm)			
	4.0	4.5	5.0	6.0
80	622-01	622-21	622-41	622-61
90	622-02	622-22	622-42	622-62
120	622-03	622-23	622-43	622-63
130	622-04	622-24	622-44	622-64
150	622-05	622-25	622-45	622-65
170	622-06	622-26	622-46	622-66
200	622-07	622-27	622-47	622-67
250	622-08	622-28	622-48	622-68

Thread Length 32mm

Length (mm)	Diameter(mm)			
	4.0	4.5	5.0	6.0
80	622-11	622-31	622-51	622-71
90	622-12	622-32	622-52	622-72
120	622-13	622-33	622-53	622-73
130	622-14	622-34	622-54	622-74
150	622-15	622-35	622-55	622-75
170	622-16	622-36	622-56	622-76
200	622-17	622-37	622-57	622-77
250	622-18	622-38	622-58	622-78

Modified Hagie Pins



Thread Length: 16mm
Overall Length : 152mm

GROUP CODE
621

Cat No.	621-01	621-02
Shaft Diameter(mm)	3.2	4.0
Threaded diameter(mm)	4.8	6.0
Hex Collar (mm)	6.4	8.0

Knowles Pins



Threaded Length: 32mm
Break - Off Shaft Length: 70mm
Shaft diameters : 3.2mm
4.0mm Hexagonal Collar

GROUP CODE
623

Point to Collar Length(mm)	Thread Diameter	
	3.2mm	4.0mm
50	623-01	623-51
55	623-02	623-52
60	623-03	623-53
65	623-04	623-54
70	623-05	623-55
75	623-06	623-56
80	623-07	623-57
85	623-08	623-58
90	623-09	623-59
95	623-10	623-60
100	623-11	623-61

Tibia Bolt



4.0mm Diameter

Cat No.	Length(mm)	Cat No.	Length(mm)
621-21	60	621-29	100
621-23	70	621-31	110
621-25	80	621-33	120
621-27	90	621-35	130

Guide Pin



GROUP CODE
642

Length (mm)	Diameter(mm)							
	Ø2.0	Ø2.5	Ø3.0	Ø3.5	Ø4.0	Ø4.5	Ø5.0	Ø6.0
100	642-01	642-11	642-21	642-31	642-41	642-51	642-61	642-71
150	642-02	642-12	642-22	642-32	642-42	642-52	642-62	642-72
200	642-03	642-13	642-23	642-33	642-43	642-53	642-63	642-73
225	642-04	642-14	642-24	642-34	642-44	642-54	642-64	642-74
250	642-05	642-15	642-25	642-35	642-45	642-55	642-65	642-75
275	642-06	642-16	642-26	642-36	642-46	642-56	642-66	642-76
300	642-07	642-17	642-27	642-37	642-47	642-57	642-67	642-77

Steinmann Pin With Center Thread



Threaded Diameter is 0.5mm
Larger than Pin dia.

GROUP CODE
620

Length (mm)	Diameter(mm)			
	Ø4.0	Ø4.5	Ø5.0	Ø5.5
150	620-01	620-011	620-21	620-31
180	620-02	620-012	620-22	620-32
200	620-03	620-013	620-23	620-33
225	620-04	620-014	620-24	620-34
250	620-05	620-015	620-25	620-35

Steinmann Pins



GROUP CODE
494

499

Length (cm)	Diameter(mm)					
	Ø2.5	Ø3.0	Ø3.5	Ø4.0	Ø4.5	Ø5.0
08	494-08	495-08	496-08	497-08	498-08	499-08
10	494-10	495-10	496-10	497-10	498-10	499-10
12	494-12	495-12	496-12	497-12	498-12	499-12
14	494-14	495-14	496-14	497-14	498-14	499-14
15	494-15	495-15	496-15	497-15	498-15	499-15
16	494-16	495-16	496-16	497-16	498-16	499-16
18	494-18	495-18	496-18	497-18	498-18	499-18
20	494-20	495-20	496-20	497-20	498-20	499-20
21	494-21	495-21	496-21	497-21	498-21	499-21
22	494-22	495-22	496-22	497-22	498-22	499-22
24	494-24	495-24	496-24	497-24	498-24	499-24
25	494-25	495-25	496-25	497-25	498-25	499-25
26	494-26	495-26	496-26	497-26	498-26	499-26
28	494-28	495-28	496-28	497-28	498-28	499-28
30	494-30	495-30	496-30	497-30	498-30	499-30

Suture Wire Stainless Steel



GROUP CODE
647

Cerclage Wire



GROUP CODE
648

Soft Wire

Standard Length of Roll		- 10 Meter Roll	
Cat No.	Size	Cat No.	Size
647-01	16SWG (1.6mm)	647-07	22SWG (0.7mm)
647-02	17SWG (1.5mm)	647-08	23SWG (0.6mm)
647-03	18SWG (1.25mm)	647-09	24SWG (0.55mm)
647-04	19SWG (1.0mm)	647-10	26SWG (0.45mm)
647-05	20SWG (0.9mm)	647-11	28SWG (0.35mm)
647-06	21SWG (0.8mm)	647-12	30SWG (0.30mm)

Soft wire in Coils of 10 Meters

Cat No.	Wire Dia(mm)	Cat No.	Wire Dia(mm)
648-01	0.4	648-05	0.8
648-02	0.5	648-06	0.9
648-03	0.6	648-07	1.0
648-04	0.7	648-08	1.2

Gigli Wire



GROUP CODE
644

Cat No.	Length(mm)
644-30	300
644-40	400
644-50	500
644-60	600
644-70	700

Steinmann Pin Holder



GROUP CODE
645

Cat No.	Size(mm)
645-81	Small
645-82	Medium
645-83	Large
645-84	Extra Large

WIRE INSTRUMENT SET

Cat No. 609-76

GROUP CODE
609



Wire Introducer
Code No.: 609-77



Wire Holding Forceps
Code No.: 609-78



Wire Bending Forceps
Code No.: 609-79



Wire Cutter Cum Pliers 6"
Code No.: 609-80



**Wire Passer
(Small/Medium/Large)**
Code No.: 609-81



Wire Tightener
Code No.: 609-82



**Bone Awl
(2.5 mm/ 3.0 mm/
3.5 mm/ 4.0 mm)**
Code No.: 609-83



T-Handle
Code No.: 609-84

Staples



Staples Coventry



Barbed Staples



Rod Dia: 2.5mm

Cat No.	Length(mm)	Width(mm)	Offset(mm)
627-61	33	24	5
627-62	33	24	10
627-63	33	24	15

Rod Dia: 2.5mm

Cat No.	Length(mm)	Width(mm)
627-41	16	9
627-42	19	9
627-43	22	9
627-44	25	9

Also available in 2.0, 3.0 & 3.5 mm rod dia.

Cat No.	Length(mm)	Width(mm)	Offset(mm)
627-64	33	24	5
627-65	33	24	10
627-66	33	24	15
627-68	33	24	20
627-69	33	24	25
627-70	33	24	30

STAPLE INSTRUMENTS

Code No.: 627-70



Instrument For Holding & Impacting Bone Staples (190mm)

Code No.: 627-72



Impactor (190mm)

Code No.: 627-73



Extractor For Bone Staples (186mm)

Code No.: 627-74



External Fixators

ILLIZAROV RING FIXATOR INSTRUMENTS

Cat No. 609-31

GROUP CODE
609

Spanner

Code No.: 609-32



Connection Plate

Code No.: 609-33

Male Post

Code No.: 609-34



Connection Plate Threaded

Code No.: 609-35

Twisted Plate

Code No.: 609-36



Nut

Code No.: 609-37

Connection Bolt

Code No.: 609-38



Wire Tensioner

Code No.: 609-74



Shanz Pin Bolt

Code No.: 609-39

Cannulated Bolt

Code No.: 609-40



Slotted Bolt

Code No.: 609-70

Female Post

Code No.: 609-71



Female Hinge

Code No.: 609-72

Male Hinge

Code No.: 609-73



ILLIZAROV RING FIXATOR SET

Code No.: 609-21

GROUP CODE
609



Full Ring
Code No.: 609-24



5 / 8 Ring Code No.: 609-22

Half Ring
Code No.: 609-23

Italian Femoral Arch

Code No.: 609-25



Italian Arch
Code No.: 609-26

Rapofix Device

Code No.: 609-27



Threaded Rod

Code No.: 609-28



Telescopic Rod

Code No.: 609-29



Olive Wire

Code No.: 609-30



Bayonet Wire

Code No.: 609-75



GROUP CODE
615



Mini Single Clamp
Code No.: 615-08



Single Pin Clamp
Code No.: 615-03



Open Clamp
Code No.: 615-06



Double Pin Clamp
Code No.: 615-04



Connecting Clamp
Code No.: 615-05

GROUP CODE
615



Tube To Tube Clamp
Code No.: 615-07



Twin Clamp (Straight)
Code No.: 615-01



Tubular Rod with Four Clamps
Code No.: 615-51



**Transverse Clamp For
External Fixators**
Code No.: 615-61



Twin Clamp (Curved)
Code No.: 615-02

BROKEN SCREW REMOVAL SET

Code No.: 629-01

GROUP CODE
629



Screw Removing Forcep

Code No.: 629-02

Cat. No.	Size(mm)
629-05	05
629-10	10
629-15	15
629-20	20
629-25	25
629-30	30



**Chisel
(Fiber Handle)**



**Self Retaining Retractor
(Without Hinge)**

Cat. No.	Size(mm)
629-35	165
629-40	200
629-45	250
629-50	290
629-55	345
629-60	410

Cat. No.	Size(mm)
629-65	165
629-70	200
629-75	250
629-80	290
629-85	345
629-90	410



**Self Retaining Retractor
(With Hinge)**



Gigli Handle
Code No.: 619-01



Lane Screw Driver
Code No.: 619-41



Hexagonal Screw Driver
Code No.: 619-11



Charnley Compression Clamp
Code No.: 619-51



Coupling Handle
Code No.: 619-21



Quick Coupling Handle
Code No.: 619-31

GROUP CODE
646



Bone Hand Drill Black

Code No.: 646-11



Universal Bone Hand Drill

Code No.: 646-21



TRIPLE TROCAR SET

Code No.: 646-41



DRILL GUIDE 2.7 mm

Code No.: 646-51



Depth Gauge

Code No.: 646-61



Guide Wire Introducer

Code No.: 646-31



Steinmann Pin Introducer

Code No.: 645-91



Volk Man's Retractor

Cat. No	Prongs (Size mm)
645-01	1
645-02	2
645-03	3
645-04	4
645-05	5



Periosteal Elevator

Cat. No	Size(mm)	Cat. No	Size(mm)
	Fiber Handle/SS Handle		Fiber Handle/SS Handle
645-11	4	645-15	12
645-12	6	645-16	14
645-13	8	645-17	16
645-14	10		



Hohman's Retractor

Cat. No	Prongs	Cat. No	Prongs
645-21	6	645-30	24
645-22	8	645-32	25
645-23	10	645-33	30
645-24	12	645-34	35
645-28	18	645-35	43
645-29	22	645-36	70



Lagenback Retractor

Cat. No	Size(mm)
645-25	Small
645-26	Medium
645-27	Large



Bristow's Retractor

Code No.: 645-31



Bone Curettes

Cat. No	Size
	Single Cup/Double Cup
645-41	Small
645-42	Medium
645-43	Large



Osteotomes

Cat. No	Size(mm)
645-44	5
645-45	10
645-46	15
645-47	20
645-48	25
645-49	30



Gouge

Cat. No	Size(mm)
645-50	5
645-51	10
645-52	15
645-53	20
645-54	25
645-55	30



**Bone Holding Forcep Self Centering
Lane's Bone Holding Forcep**

Code No.: 645-56



Bone & Plate Holding Forcep

Code No.: 645-57



Lowman Bone Clamp

Cat. No	Size(mm)
645-58	1
645-59	2
645-60	3

GROUP CODE
645



Chisel

Code No.: 645-64



Bone Nibblers

Code No.: 645-71



Bone Cutting Forcep

Code No.: 645-75



Bone File

Code No.: 645-78

GROUP CODE
645



Amputation Saw
Code No.: 645-81



Bone Hook
Code No.: 645-84



Sharp Hook
Code No.: 645-85



Plaster Saw
Code No.: 645-87



Plaster Bender
Code No.: 645-88



Plaster Shear
Code No.: 645-89

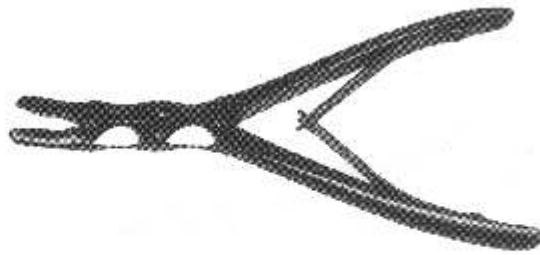


Bending Press
Code No.: 654-20

BONE NIBBLERS

**Bone Nibblers
(Straight)**

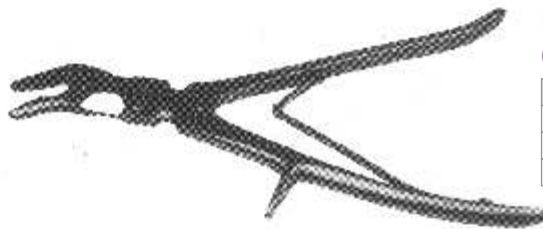
Cat. No.	Size(mm)
632-01	190
632-02	225
632-03	270



GROUP CODE
632

**Bone Nibblers
(Curved)**

Cat. No.	Size(mm)
632-04	190
632-05	225
632-06	270



**Bone Nibblers
(Angular)**

Cat. No.	Size(mm)
632-07	190
632-08	225
632-09	270



BONE CUTTING FORCEP

**Bone Cutting Forceps
(Straight)**

Cat. No.	Size(mm)
633-04	190
633-05	225
633-06	280



**Bone Cutting Forceps
(Curved)**

Cat. No.	Size(mm)
633-01	190
633-02	225
633-03	280



GROUP CODE
633

INDEX

A	Page No.	C	Page No.
Amputation Saw	G7 57	Clamp - Open Single	F3 49
Angle Guide	L5 25	Clamp - Connecting	F3 49
Angular Nail Plate For 90° And 100°	Ap2 38	Clamp - Double Pin	F3 49
Angular Nail Plate - Intertrochanteric Femoral Osteotomes Adults	Ap2 38	Clamp - Single Pin	F3 49
Angular Nail Plate For Intertrochanteric Femoral(upto 10 Year)	Ap3 39	Clamp - Transverse.	F4 50
Angular Nail Plate Intertrochanteric Femoral (upto 5year)	Ap3 39	Clamp - Tube To Tube	F4 50
Angular Plate 130° For Adults	Ap1 37	Clamp - Tubular Rod	F4 50
B		Clamp - Twin (Curved)	F4 50
Barbed Staples	P6 46	Clamp - Twin (Straight)	F4 50
Bayonet Wire.	F2 48	Cloverleaf Plates 3.5mm 3.5mm & 4.0mm Screws	S8 18
Bending Iron For K Wire 0.8 And 1.25mm Dia Length 115mm	M8 10	Cobra Head Plate 4.5 & 6.5mm Screws	L9 29
Bending Iron For K Wire 1.25 To 2.5mm Dia, Length 120mm	S10 20	Combined Wrench 11mm Length 140mm	L12 32
Bending Iron For Plate 2.7mm And 3.5, Length 150mm	S10 20	Condylar Blade Plate 95° for Adults	Ap1 37
Bending Iron Plate For Plate 1.5mm And 2.0mm Length 130mm	M8 10	Condylar Buttress Plate 4.5 & 6.5 mm Screw	L9 29
Bending Plier For Thin Plate 1.5mm And 2.7mm Length 140mm	M8 10	Condylar/ Angled Blade Plate Instrument Set	Ap4 40
Bending Pliers For Plate 2.4 To 4.0 mm, Length 230mm	S10 20	Connection Bolt.	F1 47
Bending Template DCP 4.5mm & LC-DCP 4.5mm Length 120mm	L12 32	Connection Plate Threaded.	F1 47
Bending Template DCP 4.5mm & LC-DCP 4.5mm Length 155mm	L12 32	Connection Plate.	F1 47
Bending Template DCP 4.5mm & LC-DCP 4.5mm Length 210mm	L12 32	Cortical Cannulated Screw 4.5mm Fully Thread	L4 24
Bending Template - DCP 3.5mm & LC-DCP 3.5mm Length 114mm	S10 20	Cortical Cannulated Screw 4.5mm Short Thread	L3 23
Bending Template -DCP 3.5mm & LC-DCP 3.5mm Length 87mm	S10 20	Cortical Screw 2.7mm (Self Tapping)	M2 5
Bone & Plate Holding Forcep	G5 55	Cortical Screw 1.5mm	M2 5
Bone Awl (2.5 mm/ 3.0 mm/ 3.5 mm/ 4.0 mm)	P5 45	Cortical Screw 2.0mm	M2 5
Bone Currettes	G5 55	Cortical Screw 2.7mm	M2 5
Bone Cutting Forcep	G6 56	Cortical Screw 3.5mm	S2 12
Bone Cutting Forcep (straight, Curved)	G8 57	Cortical Screw 3.5mm (Self Tapping)	S2 12
Bone File	G6 56	Cortical Screw 4.0mm (Self Tapping)	S2 12
Bone Hand Drill Universal	G3 53	Cortical Screw 4.5mm	L2 22
Bone Hand Drill Black	G3 53	Cortical Screw 4.5mm (Self Tapping)	L2 22
Bone Holding Forcep Self Centering (Lane's Bone Holding Forcep)	G5 55	Counter Sink Large Length 180mm	L11 31
Bone Hook	G7 57	Counter Sink Shaft 1.5/2.0mm Length 52mm	M6 8
Bone Nibblers	G6 56	Counter Sink Shaft 2.7mm Length 62mm	M6 8
Bone Nibblers (Straight, Angular, Curved)	G8 58	Coupling Handle	G2 52
Bristow's Retractor	G4 54	Curved Reconstruction Plate 3.5mm	S5 15
Broad Bone Plates With Round Holes	L7 27	D	
Broken Screw Removal	G1 51	DCP Drill Sleeve 3.5,Neutral & Load Postion Drill Bit 3.5mm	S9 19
Broken Screw Removal Set	G1 51	DCP Drill Sleeve 4.5	L12 32
C		DCS Angle Guide	D4 36
Calcaneal Plate 3.5mm 3.5 & 4.0mm Screws	S8 18	DCS Plate 90°-95°	D3 35
Cancellous Screw 3.5mm Full Threaded	S2 12	DCS Triple Reamer	D4 36
Cancellous Screw 4.0mm Full Threaded	S3 13	Depth Gauge	G3 53
Cancellous Screw 4.0mm Partial Thread	S3 13	Depth Gauge For 1.5mm to 2.0mm Screw	M6 8
Cancellous Screw 6.5mm 32mm	L3 23	Depth Gauge For 2.7mm To 4.0mm Screw	M6 8
Cancellous Screw 6.5mm 16mm	L2 22	Depth Gauge 2.7mm To 4.0mm Screw	S9 19
Cancellous Screw, 6.5mm Fully Threaded	L3 23	DHS Angle Guide 135 Deg	D4 36
Cannulated Bolt.	F1 47	DHS Angle Guide 150 Deg	D4 36
Cannulated Bone Tap 7.0 mm	L5 25	DHS Plate With & Without Round Holes	D2 34
Cannulated Cancellous Screw 4.0mm Fully Threaded	S3 13	DHS Reamer	D4 36
Cannulated Cancellous Screw 4.0mm Short Thread	S3 13	DHS Tap Sleeve	D4 36
Cannulated Instrument Set 7.0 mm	L5 25	DHS/ DCS Guide Wire 2.5mm Dia with Threaded Tip	D4 36
Cannulated Screw Driver	L5 25	DHS/ DCS T Handle With Quick Coupling Length 80mm	D4 36
Cerclage Wire	P4 44	DHS/DCS Centering Sleeve Short	D4 36
Charnley Compression Clamp	G2 52	DHS/DCS Tap 220mm	D4 36
Chisel	G6 56	DHS/DCS Centering Sleeve Long	D4 36
Chisel (Fiber Handle)	G1 51	DHS/DCS Direct Measuring Device	D4 36
Chisel Guide	AP4 40	DHS/DCS Impactor Length 200mm	D4 36
Clamp - Mini Single	F3 49	DHS/DCS Instrument Set	D1 33

INDEX

D	Page No.	J	Page No.
DHS/DCS Wrench Length 245 mm	D4 36	Jewett Nail Plate -1350	Ap3 39
Direct Measuring Device	L5 25	K	
Double Drill Sleeve	L5 25	Kirschner Wires 2.0/150mm	Ap4 40
Double Drill Sleeve 1.5/1.1mm	M5 7	Kirschner Wires Trocar Point & Round End	P1 41
Double Drill Sleeve 2.0/1.5mm	M5 7	Kirschner Wires With Double Trocar	P1 41
Double Drill Sleeve 2.7/2.0mm	M5 7	Kirschner Wires With Thread & trocar Point	P1 41
Double Drill Sleeve 3.5/2.5	S9 19	Knowles Pins	P2 42
Double Drill Sleeve 4.5/3.2	L11 31	I	
Double Drill Sleeve 6.5/3.2	L11 31	L - Plate 2.7mm Oblique 110°	M4 6
Drill Bit (Q.C End) 2.5 mm Length 110/85	S9 19	L - Plate 2.7mm Oblique 110°	S6 16
Drill Bit (Q.C End) 3.5 mm Length 100/85	S9 19	L - Plate For 2.7mm Screws	M4 6
Drill Bit 4.5/2.1 Dia. Cannulated	L5 25	L - Plate For 2.7mm Screws	S6 16
Drill Bit 8mm Length 245mm	D4 36	Lag Screw Compression Screw	D3 35
Drill Bit Quick Coupling 1.1mm Length 60/35mm	M5 7	Lagenback Retractor	G4 54
Drill Bit Quick Coupling 1.5mm Length 85/60mm	M5 7	Lane Screw Driver	G2 52
Drill Bit Quick Coupling 2.0mm Length 100/75mm	M5 7	Large Cannulated Screw, 7.0mm Thread Length 16mm	L4 24
Drill Bit Quick Coupling 2.7mm Length 100/75mm	M5 7	Large Cannulated Screw, 7.0mm Thread Length 32mm	L4 24
Drill Bit, Ø 3.2mm Length 145/120mm For Quick Coupling	L11 31	Large Depth Gauge For 4.5 & 6.5mm Screw	L11 31
Drill Bit, Ø 4.5mm Length 145/120mm For Quick Coupling	L11 31	Large Fragment Set Box	L1 21
Drill Guide 2.7 mm	G3 53	Large Hexagonal Screw Driver Length 100mm	L11 31
Drill Sleeve 4.5mm	AP4 40	Large Hexagonal Screw Driver With Groove Length 240mm	L11 31
Dynamic Compression Plate - 4.5mm Broad	L6 26	Large Holding Sleeve Length 120mm	L12 32
Dynamic Compression Plate - 4.5mm narrow	L6 26	Lateral Tibial Head Buttress Plate	L10 30
Dynamic Compression Plate 2.7mm	M4 6	L-Buttress Plates 4.5mm With 4.5 & 6.5mm Screws	L10 30
Dynamic Compression Plate 3.5mm	S5 15	LC- DCP Drill Sleeve 4.5mm	L12 32
F		LC-DCP 3.5 mm 3.5mm & 4.0mm Screws	S7 17
Female Hinge.	F1 47	LC-DCP 4.5 mm Broad 4.5 & 6.5 mm Screws	L8 28
Female Post.	F1 47	LC-DCP 4.5 mm Narrow 4.5 & 6.5 mm Screws	L8 28
G		Lengthening Plates	L8 28
Gigli Handle	G2 52	Long Coupling Screw	D4 36
Gigli Wire	P4 44	Lowman Bone Clamp	G5 55
Gouge	G5 55	M	
Guide Pin	P3 43	Male Hinge.	F1 47
Guide Shaft / Coupling Screw	D4 36	Male Post.	F1 47
Guide Wire 2 mm Threaded Tip	L5 25	Malleolar Screw 4.5mm	L3 23
Guide Wire Introducer	G3 52	Mini - T - Plate 2.0	M3 5
H		Mini Fragment Set Box	M1 3
Handle With Quick Coupling Length 110mm	M6 8	Mini L - Plate 2.0 Screw	M3 5
Hexagonal Screw Drive Small Length 100mm for Q.C.	M5 7	Mini L - Plate Oblique (110°) 2.0 Screw	M3 5
Hexagonal Screw Drive With Holding Sleeve	M5 7	Mini Periosteal Elevator Straight Edge, 3mm Wide Length 200mm	M6 8
Hexagonal Screw Driver	G2 52	Mini Quick Coupling Handle	M5 7
Hexagonal Screw Driver With Groove Length 200mm	M8 10	Mini Reduction Forceps with Points Narrow, Length 127mm	M6 8
Hexagonal Socket - 3.5mm Length 36mm	D3 35	Mini Reduction Forceps with Points Wide, Length 127mm	M7 9
Hohman's Retractor	G4 54	Mini Straight Plate 2.0	M3 5
Holding Clip - mini	M7 9	Modified Hagie Pins	P2 42
Holding Clip - small	S10 20	N	
Holding Forceps For Small Plate Length 135mm	M7 9	Narrow Bone Plates With Round Holes	L7 27
Hook Shaped Plates	S8 18	Nut for DHS and DCS Reamer	D4 36
I		Nuts	F1 47
Illizarov Ring Fixator Instrument	F1 47	O	
Illizarov Type Ring Fixator Set	F2 48	Olive Wire	F2 48
Impactor	Ap4 40	One Third Tubular Plates Fixation With 3.5mm & 4.0mm	S4 14
Insert Drill Sleeve 3.5/2.5, Length 42mm, Drill Bit 2.5mm Dia	S9 19	One Third Tubular Plates With Collar With 3.5mm & 4.0mm	S4 14
Insert Drill Sleeve 4.5/3.2 Length 80mm	L11 31	Osteotomes	G5 55
Insertor-extractor With Adjustment Clamp Length 270mm	Ap4 40	P	
Italian Arch.	F2 48	Periosteal Elevator	G4 54
Italian Femoral Arch	F2 48	Plaster Bender	G7 57

INDEX

P	Page No.	S	Page No.
Plaster Saw for General Instrument	G7 57	Suture Wire Stainless Steel	P4 44
Plaster Shear	G7 57	T	
Q		T - Plate 2.7mm	M4 6
Quarter Tubular Plate for 2.7mm and 3.5mm Screws	M4 6	T - Plate 2.7mm	S6 16
Quick Coupling Handle Rapofix Device.	F2 48	T - Handle With Coupling Handle Length 80mm	S9 19
R		T - Handle With Coupling Handle Length 80mm	L11 31
Reduction Forcep Serrated Jaws Length 146mm	S10 20	Tap 3.5 Cortical Screw length 50/110mm	S9 19
Reduction Forcep with Point Length 126 mm	S10 20	Tap 4.0 mm Cancellous Screw	S9 19
Reduction Forcep with Point Length 127mm	S10 20	Tap for 1.5mm Cortical Screw	M5 7
Retractor 15mm wide Length 160mm	M8 10	Tap for 2.0mm Cortical Screw	M5 7
Retractor 15mm wide Length 160mm	S9 19	Tap for 2.7 mm Cortical Screw	M5 7
Retractor Small 6mm Wide Narrow Tip Length 160mm	M7 9	Tap for 4.5mm Cortical Screws length 125/70mm	L11 31
Retractor Small 8mm Wide Narrow Tip Length 160mm	M7 9	Tap for 6.5mm Cancellous Screws	L11 31
Ring - 5/8	F2 48	T - Buttress Plates 4.5mm Round Holes	L10 30
Ring - Full	F2 48	Telescopic Rod	F2 48
Ring - Half	F2 48	T - Handle	P5 45
S		Thin Narrow Bone Plates Round Holes	L8 28
Schanz Screws	P2 42	Threaded Rod	F2 48
Screw Forcep, Self Retaining Length 85mm	M6 8	Tibia Bolt	P2 42
Screw Holding Forcep Self Retaining Length 85mm	S9 19	T - Plate Right Angle 3.5mm & 4.0mm screws	S7 17
Screw Removing Forcep	G1 51	T - Plate Oblique Angled Left and Right, 3.5 & 4.5mm Screws	S6 16
Seating Chisel Length 320mm	AP4 40	T - Plate Right Angled 3.5mm & 4.0mm screws	S7 17
Self Centering Bone Holding Forcep Length 191 mm	S9 19	T - Plate Right Hole 4.5 mm	L10 30
Self Retaining Retractor	G1 51	Triangular Positioning Plates (a, b, c)	AP4 40
Self Retaining Retractor (with Hinge)	G1 51	Triple Trocar Set	G3 53
Self Retaining Retractor (without Hinge)	G1 51	Triple Drill Guide	AP4 40
Semi Tubular Plates 3.5mm & 4.0mm Screws	S7 17	Twisted Plates	F1 47
Shaft Screw 3.5mm	S4 14	U	
Shaft Screw 4.5mm	L2 22	Universal Drill Sleeve 4.5mm	L12 32
Shanz Pin Bolt	F1 47	V	
Sharp Hook	G7 57	Volk Man's Retractor	G4 54
Sharp Hook Length 155mm	M7 9	W	
Sharp Hook Length 155mm	S10 20	Washer For Screws 2.7, 3.5, 4.0 mm	S4 14
Sharp Hook Length 155mm	L12 32	Washer For Screws 4.5, 6.5 & 7.0 mm	L4 24
Short Coupling Screw	D4 36	Wire Bending Forceps	P5 45
Slotted Bolt	F1 47	Wire Bending Plier Length 126mm	S10 20
Slotted Hammer	AP4 40	Wire Bending Plier Length 155mm	M6 8
Small Counter Sink Shaft 3.5mm Length 72mm	S9 19	Wire Cutter Cum Plier 6"	P5 45
Small Fragment Set Box	S1 11	Wire Cutter Short Length 175mm	M7 9
Small Hexagonal Screw Driver Quick Coupling Length 100mm	S10 20	Wire Holding Forceps	P5 45
Small Hexagonal Screw Driver with Groove Length 200mm	S10 20	Wire Instrument Set	P5 45
Small Periosteal Elevator, 6mm wide, Length 200mm	S9 19	Wire Introducer	P5 45
Spanner	AP4 40	Wire Passer (Small/Medium/Large)	P5 45
Spanner	F1 47	Wire Tensioner	F1 47
Spoon Plate 4.5 & 6.5mm Screws	L9 29	Wire Tightener	P5 45
Staple Instruments	P6 46	Y	
Staple - Extractor	P6 46	Y Reconstruction Plate	S5 15
Staple - Impactor (190mm)	P6 46		
Staple - Instruments For Holding & Impacting Bone	P6 46		
Staples	P6 46		
Staples - Conventry	P6 46		
Steinmann Pin Holder	P4 44		
Steinmann Pin Introducer	G4 54		
Steinmann Pin With Center Thread	P3 43		
Steinmann Pins	P3 43		
Straight Reconstruction Plate For 3.5mm Screws	S5 15		
Straight Reconstruction Plate 4.5 With 4.5 & 6.5 mm Screws	L9 29		

CE



GST Corporation Limited
B-13, Okhla Phase - 2,
New Delhi - 110020 (INDIA)
Tel. (91-11) 4643 4444
Fax. (91-11) 4643 4433

www.gstc.com
implants@gstc.com